



STOCKMAN 3500

HYDROSTATIC DRIVE



RIDE-ON MOWER

OWNER/OPERATORS MANUAL

Incl

ILLUSTRATED PARTS LIST

Model A18216J

Hydrostatic Drive

CS35H15B32-15.5hp Briggs & Stratton 805mm (32") Cut

CS35H15B38-15.5hp Briggs & Stratton 955mm (38") Cut

CS35H17B32-17.5hp Briggs & Stratton 805mm (32") Cut

CS35H17B38-17.5hp Briggs & Stratton 955mm (38") Cut

READ THIS MANUAL BEFORE OPERATING MACHINE

DEATH, PERSONAL INJURY AND/OR PROPERTY DAMAGE MAY OCCUR UNLESS INSTRUCTIONS IN THIS MANUAL ARE FOLLOWED

NOTE: Bring this Manual when Service & or Warranty work is required.

REGISTER YOUR WARRANTY ONLINE

<http://www.coxmowers.com.au/warranty-registration/>

OWNERS INFORMATION

MACHINE CODE NO: _____

SERIAL NO: _____

Located on label inside transmission housing

B&S ENGINE MODEL NO: _____ **TYPE** _____ **CODE** _____

DATE OF PURCHASE: _____

ISSUED TO:

OWNERS NAME: _____

ADDRESS: _____

TOWN/CITY: _____ **STATE:** _____

ISSUED BY:

**AUTHORISED DEALER/
DISTRIBUTOR:** _____

ADDRESS: _____

TOWN/CITY: _____ **STATE:** _____

PRE DELIVERY CHECK LIST

Check parts Assemble Service Instruction

ALWAYS KEEP THIS MANUAL IN A SAFE PLACE.

SAFETY INSTRUCTIONS

- Read, understand, & follow all instructions in the Owner/Operators manual.
- Know the controls and how to stop the engine quickly in an emergency.
- Allow only responsible adults, who are familiar with the instructions in this manual, to operate the machine.
- Clear the area to be mowed of loose objects such as sticks, stones, bones, wire, toys, debris, etc., which could be picked up and thrown by the blades.
- DO NOT mow whilst people, especially children, or pets are in the mowing area.
- DO NOT mow either direction on slopes beyond 15 degrees (1 in 3.75).
- Exercise extreme caution on slopes.
- Reduce speed on slopes and in sharp turns to prevent overturning or loss of control.
- Start or stop slowly when on slopes.
- Mow up and down slopes, not across the slope.
- Stay alert for holes or bumps in the terrain and other hidden hazards.
- Watch out for traffic when crossing or operating the mower near roadways.
- Stop the blades rotating before crossing surfaces other than grass.
- When using attachments, never direct discharge of material toward bystanders nor allow anyone near the machine while it is in operation.
- Before leaving the operators position-
 - a] Disengage all clutches and secure cutting units;
 - b] Return drive pedal to neutral position and set the parking brake;
 - c] Stop the engine and remove the key.
- Disengage drive to attachments and stop engine-
 - a] Before refueling;
 - b] Before checking, cleaning or working on the mower;
 - c] After striking a foreign object (check the mower for damage and make repairs before restarting and operating the equipment);
 - d] If machine starts to vibrate abnormally (check immediately).
- Disengage drive to attachments when transporting or not in use.
- A mower operator should be in good physical and mental health and not under the influence of alcohol or any drug which might impair vision, co-ordination or judgment.
- Never mow while barefoot or wearing open sandals or thongs. Wear long trousers and heavy shoes.
- It is advisable to wear suitable eye protection when operating a mower.
- Mow only in daylight or good artificial light.
- Before using, always visually inspect to see that blades, bolts and cutter assembly are not worn or damaged. Replace worn or damaged blades and bolts in sets to preserve balance.
- Check all nuts, bolts, and screws often; always be sure the mower is in safe operating condition.
- Keep safety devices (guards and switches) in place and in working order.
- Never use the mower unless the guards provided by the manufacturer, are in position.
- Ensure any replacement parts used comply with the original manufacture's recommendations and specifications.
- Replace worn or faulty silencers.
- Keep machine free of grass, leaves or other debris, excessive oil, grease, or spilt fuel. These can be a fire hazard.
- Refuel outdoors only. Do not smoke while fueling engine. Never remove the cap of the fuel tank or add petrol while the engine is running or the engine is hot. Remove fuel cap slowly to relieve any tank pressure. If fuel is spilled, do not attempt to start the engine but move machine away from the area of the spill and avoid creating any source of ignition until fuel vapors have dissipated.
- Check for fuel leaks while refueling, before and while using the mower. If a fuel leak is found, do not start or run the engine until the fuel leak is fixed and spilled fuel is wiped away.
- Do not operate engine in a confined space where exhaust fumes (carbon monoxide) can collect.
- Always mount the mower from the left or the opposite side to the discharge chute.
- Start the engine carefully with the cutting means disengaged.
- Do not over-speed the engine or alter governor settings. Excessive speed is dangerous and shortens mower life.
- Stop the engine whenever you leave the mower, even for a moment.
- Store the mower in a well-ventilated room away from naked flames such as may be found in hot water heaters.
- Do not lend or sell the mower, without the owners/operators Manual.

INTRODUCTION

THANK YOU, for purchasing a COX Hydrostatic Drive, STOCKMAN 3500 Ride-on Mower. Proudly Manufactured by Cox Industries (Australia) Pty. Ltd..

READ THIS MANUAL carefully to learn how to operate safely and maintain your Ride-on Mower effectively.

Failure to follow Safety, Operating or Maintenance instructions in this manual could result in Death, Personal Injury or Equipment Damage.

THIS MANUAL IS PART OF YOUR RIDE-ON MOWER and should be supplied with this Ride-on Mower if you lend or sell this Ride-on Mower. This should also apply to the Engine Owners Manual.

CONVENTIONS

Measurements in this manual are given in metric units unless otherwise stated.

Right-hand and Left-hand, are determined by facing the direction of forward travel.

Direction of rotation is determined by looking into the components in motion parallel to the axis of rotation.

WRITE PRODUCT IDENTIFICATION NUMBERS

in the Owners Information Section of this manual. Accurately recording these numbers will assist your Cox Dealer when ordering spare parts or help in tracing the Ride-on Mower if it should be stolen. Store this manual in a secure place remote from the Ride-on Mower.

ENSURE YOU UNDERSTAND THE WARRANTY POLICY with regard to the responsibilities of operation, maintenance and ownership of this COX STOCKMAN Ride-on Mower.

THE INTENDED USE OF THIS RIDE-ON MOWER is for customary mowing of Landscaped Parks, Gardens, Grounds, Sporting Fields, Road Verges, Golf Course Fairways, Orchards, Plantations, and Vineyards.

Strict adherence to the conditions of Operation, Maintenance, Service & Repair as specified by the manufacturer constitute essential elements for The Intended Use.

Use in any other way not specifically approved directly in writing by the manufacturer is considered as contrary to the intended use and will increase the risk of personal injury or property damage and is therefore considered as misuse for which the manufacturer accepts no responsibility as these increased risks must be accepted solely by the user.

Do Not Modify the Machine without direct specific approval by the manufacturer as modification is considered contrary to the intended use and will increase the risk of personal injury or property damage and is therefore

considered as misuse for which the manufacturer accepts no responsibility as these increased risks must be accepted solely by the user.

OPERATION, MAINTENANCE, SERVICE AND REPAIR of this Ride-on Mower should be performed only by persons familiar with its characteristics and acquainted with the relevant Safety, Operating and maintenance instructions in this manual, as well as all relevant Statutory Regulations in force at the place and time.

When your Ride-on Mower needs service or repair please remember your **Cox Dealer is an industry trained professional** who is supported by the personnel of the Sales and Marketing, Engineering, Production, Procurement, Parts Distribution, & Service Sections of the Manufacturer and is dedicated to your satisfaction.

THE INFORMATION INCLUDED IN THIS MANUAL was considered correct at the time of approval for printing. Cox Industries (Australia) Pty Ltd reserves the right to change specifications or designs without notice or obligation.

GENERAL SAFETY INSTRUCTIONS

Training

Read, understand and follow all instructions in the Ride-on Mower and Engine Owner's/Operator's Manual as well as on Machine Safety Signs.

Keep up to date with and follow all relevant statutory regulations in force at the place and time with regard to ownership, transport, operation, maintenance, service, and repair, disposal or sale of this machine.

Know the controls and the proper use of the Equipment as well as how to stop the Mowing Attachment, Machine Travel, and the Engine in an emergency.

All operators or users should seek and obtain professional and practical instruction.

Such instruction should emphasize:

The need for concentration when working with ride-on machines. Control of a ride-on machine sliding on a slope will not be regained by application of the brake.

The main reasons for loss of control are:

- i) Insufficient wheel grip;
- ii) Being driven to fast;
- iii) Inadequate braking;
- iv) The type of machine is unsuitable for the task;

v) Lack of awareness of the effect of ground conditions, especially slopes;

vi) Incorrect hitching and load distribution.

Never allow children or people unfamiliar with these instructions to operate the Ride-on Mower.

Never carry passengers.

Never mow while people, especially children, or unrestrained animals are nearby.

Keep in mind that the operator or user is responsible for accidents or hazards occurring to other people or their property caused by this machine.

GENERAL SAFETY INSTRUCTIONS CONT.

Preparation

While operating, always wear substantial footwear (not open sandals) and long trousers.

Thoroughly inspect the area where the equipment is to be used and remove all objects which can be thrown by the machine.

WARNING – Petrol is highly flammable:

- i) Store fuel in containers specifically designed for this purpose;
- ii) Refuel outdoors only;
- iii) Do not smoke while refuelling;
- iv) Add fuel before starting the engine;
- v) Never remove the cap of the fuel tank or add petrol while the engine is running or when the engine is hot;
- vi) If petrol is spilled, do not attempt to start the engine but move the machine away from the area of spillage and avoid creating any source of ignition until petrol vapours have dissipated;
- vii) Replace all fuel tank caps and container caps securely.

Replace faulty Mufflers.

Before using, always visually inspect to see that the cutter assembly, blades, and blade bolts are not worn or damaged.

Replace worn or damaged blades and bolts in sets to preserve balance.

Take care rotating one blade by hand as this can cause other blades to rotate.

Operation

Do not operate the engine in a confined space where dangerous carbon monoxide fumes can collect.

Operate the machine only in daylight or in good artificial light.

Before attempting to start the engine, disengage Power take off Clutch and depress clutch/brake pedal to ensure drive is disengaged to the transmission.

Do not use on slopes of more than 15 degrees (1 in 3.75 or 27%).

There is no such thing as a safe slope.

Travel on grass slopes requires particular care.

To guard against overturning:

- i) Do not stop or start suddenly when going up or downhill;

- ii) Engage hydrostatic drive slowly;
- iii) Always keep hydrostatic drive operating, especially when travelling downhill;
- iv) Machine speeds should be kept low on slopes and during tight turns;
- v) Stay alert for humps and hollows and other hidden hazards;
- vi) Never mow across the face of the slope.

Use care when pulling loads or using heavy equipment:

- i) Use only approved hitch points;
- ii) Limit loads to those you can safely control;
- iii) Do not turn sharply;
- iv) Use care when reversing;

Watch out for traffic when crossing or near roadways.

Stop the blades rotating before crossing surfaces other than grass.

When using the mowing attachment, never direct discharge of material towards bystanders nor allow anyone else near the machine while it is operating.

Never operate the machine with defective guards, or without all safety devices in place and operating correctly.

Do not change the engine governor settings or over speed the engine as excessive engine speed can increase the risk of personal injury.

Before leaving the operators position:

- i) Disengage the power take off clutch;
- ii) Set the parking brake in the locked position.

Disengage drive to attachments when transporting, emptying the catcher, or not in use.

Disengage drive to attachments and stop engine before refuelling.

Disengage drive to attachments, stop engine, and remove the ignition key:

- i) Before leaving the machine unattended;
- ii) Before clearing blockages or unclogging the chute;
- iii) After striking a foreign object. (Inspect the machine for damage and make repairs before restarting or operating the damaged equipment);
- iv) If the machine starts to vibrate

abnormally. (Check immediately).

Disengage drive to attachments, stop engine, remove the ignition key, and disconnect the spark plug wires and battery positive lead before working on, maintaining, or servicing the machine.

Secure the mowing attachment in the full up position:

- i) Before clearing blockages or unclogging the chute;
- ii) Before replacing the blades, or adjusting the tension of the blade bolts;
- iii) Before placing any tools or any part of your person under the mowing attachment.

Turn the fuel off using the fuel shut off valve at the conclusion of operation.

Maintenance and Storage

Keep all nuts, bolts and screws tight to ensure the equipment is in safe working order.

Replace worn or damaged parts for safety.

Reduce the fire hazard, by keeping the engine, muffler, hydrostatic transaxle, battery compartment, and petrol storage area clear of grass, leaves, or excessive oil and grease.

Also ensure the mowing attachment drive belt can not come into contact with grass, sticks, and leaves built up on the top surface of the mowing attachment.

If the fuel tank has to be drained this should be done outdoors.

Never store the machine with petrol in the tank inside a building where fumes can reach an open flame or spark.

Allow the engine to cool before storing the Ride-on Mower in any enclosure.

When the machine is to be parked, stored or left unattended raise the mowing attachment and secure it in the full up position.

UNPACKING INSTRUCTIONS

Unpacking Instructions

Inspect the shipping crate and contents for damage.

Position the shipping crate on a firm flat level surface with at least 3 meters distance from any obstruction to the end of the crate adjacent to the front of the tractor.

! Caution you can be seriously injured by the metal strapping which has sharp edges and can spring out when cut. Wear gloves when handling metal strapping.

! Caution you can be seriously injured by sharp nails protruding from the shipping crate.

Cut and remove the straps restraining the tractor to the ends of the shipping crate.

Remove the end of the shipping crate adjacent to front of the tractor.

Remove the plastic sheet covering the tractor.

Unlock the park brake knob by depressing the clutch/brake pedal (the pedal on the left side of the tractor). Pull the transaxle transmission pump bypass lever fully forward to bypass the transmission pump and allow the tractor to be pulled with less effort.

Pull the tractor from the shipping crate. Depress the brake pedal while lifting up on the park brake knob. Once the park brake knob is raised release the brake pedal and then the park brake knob.

The Park brake should now be locked on.

Push the transaxle transmission pump bypass lever fully rearward to engage the transmission pump and allow the tractor to be driven.

Remove the steering wheel, seat sub-assy, & other loose components from the packaging.

Dispose of all packaging material responsibly.

Do not leave the plastic sheet unrestrained, it can blow away to become a safety hazard.

PRE-DELIVERY INSTRUCTIONS

INTRODUCTION:

The purpose of this procedure is to ensure the dealer/distributor has assembled & made the necessary checks, & adjustments, before the mower is operational, and instructed the owner in its safe operation & maintenance. This procedure begins upon receiving the crated mower and is finalised once the mower has been either sold or leaves the dealer/distributors premises. This is the minimum amount of work required, however it should not be limited to only the areas detailed in this procedure.

RESPONSIBILITY:

It is the responsibility of the dealer/distributors to ensure that before a mower is delivered to a customer, it is in perfect operational condition.

PROCEDURE:

CHECK COMPONENTS SUPPLIED IN SEAT PROTECTION BAG

- Engine owners manual
- Owner/Operator manual
- Ignition keys (AM015)
- Steering wheel
- Roll Pin (DP10)
- Spring pull hook (13127)
- Set Screws M8X20 (SH0820M) x 2
- Nuts M8 Nyloc (NM8NT) x 2
- Seat Springs x 2 (A163060)
- Washer (W05M202) x 2
- Pre-delivery Instruction Sheet

ASSEMBLY:

TOOLS & EQUIPMENT REQUIRED:

Socket set containing 13mm a/f socket & extension 75mm (3") or longer. Spanner 13mm a/f. Hammer & 6mm or 1/4" pin punch.

Refer pictorial procedure provided.

STEERING WHEEL

To attach the steering wheel, align the hole in the steering wheel boss to the hole in the steering shaft and use a hammer and suitable punch to drive the DP10 roll pin through the steering wheel and shaft. Ensure that the pin is situated centrally in the steering wheel boss and that the steering is free to turn.

Press the steering wheel center cover into place using hand pressure only.

HOURLY METER - OPTIONAL

Connect the black negative wire to the terminal supplied at the back of the hourmeter.

SEAT MOUNT & SEAT SPRINGS

Install the two seat springs using the screws, washers, nuts, to the seat slide frame, and tighten the screws, washers, and nuts. Install the Seat & Mounting to the seat slide frame using the Screws and Nuts. Attach seat switch wiring to seat switch.

CHECK TYRE PRESSURES & FLUID LEVELS:

TYRES

Before operation ensure that tyre pressures are equal on both sides. Uneven pressure can give an uneven finish when mowing and may cause damage to tyres and/or tubes.

The recommended pressure is:
Front 140kPa (20 P.S.I.). Rear 140kPa (20 P.S.I.)

BATTERY

This machine is fitted with a maintenance free battery.

ENGINE OIL

Before operation ensure that engine oil level is to the full mark on the dipstick. (Refer engine owners manual for procedure & if some oil needs to be

added refer Engine owners Manual for Correct Grade).

FUEL

Ensure the fuel tap at the bottom left front side of fuel tank is turned to the on position before attempting to start engine. (Use unleaded fuel only).

CHECK OPERATION OF SAFETY SWITCHES:

STARTING

Clutch/Brake switch

With PTO (power take off) switch in disengaged position (down/off) attempt to start engine without the clutch/brake pedal depressed. **Engine should not start.**

PTO switch

Sit on seat with the clutch/brake pedal fully depressed and PTO switch engaged (On), attempt to start engine. **Engine should not start.**

Key Switch

With PTO switch in down (disengaged/off) position & clutch/brake pedal fully depressed turn key switch to start position. **Engine should start.**

STOPPING

Seat switch

Sit on seat and start engine, engage cutter, (manual or electric control) and lift weight from seat.

Engine should stop.

Clutch/Brake switch

Sit on seat and start engine depress clutch/brake pedal and apply park brake, lift weight from seat.

Engine should continue to run.

Sit on seat with engine running and park brake off, clutch/brake pedal not depressed and lift weight from seat.

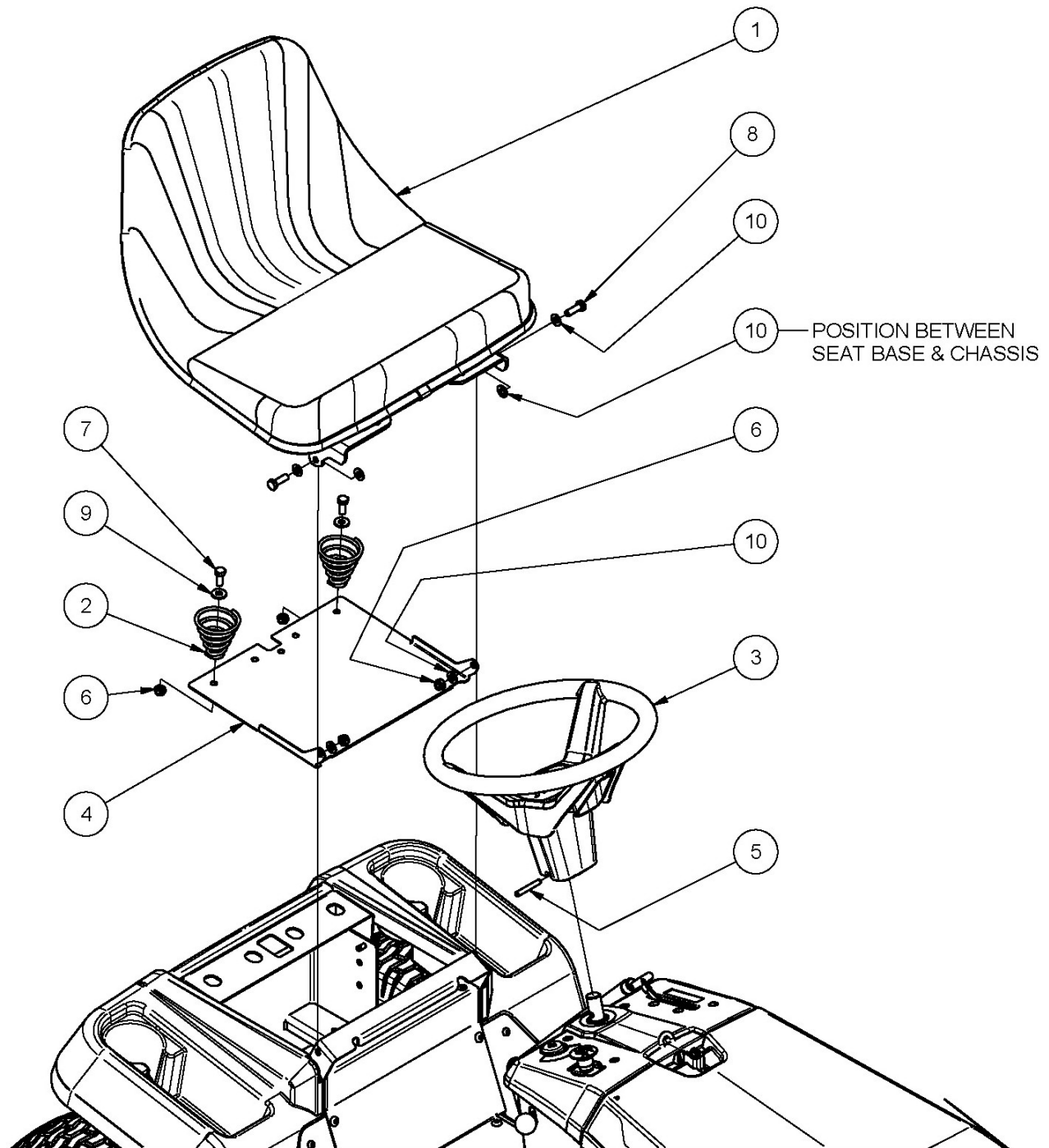
Engine should stop.

Key Switch

Sit on seat and start engine, turn key switch to stop position.

Engine should stop.

PRE-DELIVERY PARTS EXPLODED VIEW



1	A163056	SUB-ASSY, SEAT	1
2	A163060	SPRING, COMPRESSION, CONICAL, SEAT, HEAVY	2
3	A179205	WHEEL, STEERING, 13", HIGH, 02HUB+COX COVER	1
4	A179219R	COVER, TRANSAXLE, HYDRO, RED	1
5	DP10	PIN, ROLL, SPRING, 1/4"X1-3/4", ZNPL	1
6	NM8NT	NUT, HEX, NYLOC, THIN, M 8, PC6, ZNPL	4
7	SH0820M	SCREW, HEX, M 8X 20, PC8.8, ZNPL	2
8	SH0825M	SCREW, HEX, M 8X 25, PC8.8, ZNPL	2
9	W05M202	WASHER, FLAT, BRIGHT, 5/16"X3/4"X14G	2
10	W08MN	WASHER, FLAT, BRIGHT, M 8X 17X1,2, ZNPL	6

OPERATING INSTRUCTIONS

IMPORTANT

RECOMMENDED FUEL

Unleaded fuel is recommended by all manufacturers of engines fitted to Cox products.

SAFETY SWITCHES

Before operating machine, ensure that all safety switches are operating correctly. Do not operate machine with faulty, missing or damaged safety switches.

BLADE WARNING

Do not use mowing attachment with broken or bent blades, damaged or worn bolts and nuts or damaged cutter disc, otherwise damage and premature wear will result from vibration. Replace blades, bolts and nuts only in pairs to maintain correct balance. Recommended blade nut torque is 36-40Nm. Do not over tighten.

Keep both feet and hands clear of the mowing attachment at all times while attempting to start or operate the machine.

WARNING!
DO NOT OPERATE
WITHOUT MOWING
ATTACHMENT
DEFLECTOR FITTED &
DOWN.

Reference to left or right hand side of machine is determined by sitting in the operating position on the machine.

Safety footwear is recommended when operating machine.

Reference to left or right hand side of machine is determined by sitting in the operating position on the machine.

Mount and dismount only from left hand side of machine.

Ensure machine has clutch/brake pedal fully depressed or parking

brake engaged when attempting to start engine.

Never allow engine revs to exceed more than 3600 RPM.

The Instruments, the Controls and their functions are as follows;

Key Switch-

Used to start and stop engine. Insert key, turn key all the way right to start (3rd) position to start engine. When key is released from start (3rd) position it will return to on | (2nd) position. Turn key all the way left to off O (1st) position to stop engine. Remove key from off O (1st) position to lock ignition switch.

PTO Switch-

Used to activate the electromagnetic clutch/brake to start (engage) and stop (disengage and brake) mowing attachment blades and allow starting of engine with mowing attachment blades disengaged from engine. With engine running at fast speed pull KNOB up to (ON) position to start (engage) mowing attachment blades. Push knob down to (OFF) position to stop (disengage and brake) mowing attachment blades.

Seat Switch-

Used to stop engine if operator is not on the seat (switch not depressed) & cutter engagement PTO switch is engaged (on) or the park brake switch is not depressed (park brake not locked on).

Clutch/Brake Pedal & Park Brake Switch-

Used to allow starting of the engine when depressed.

Used to stop engine when not depressed and seat switch is not depressed.

Hourmeter- OPTIONAL

Used to indicate the number of hours the engine has operated.

Note:- Ignition switch must be in the on position for the hourmeter to display hours.

Engine Speed/Choke Control Lever-

Used to regulate engine speed and cutter speed also to engage/regulate/disengage the engine choke to assist in starting a cold engine. Push LEVER fully forward to engage the engine choke fully.

Pull LEVER back so front edge of LEVER is in line with the fast (rabbit) symbol on dash decal to disengage choke fully.

Pull LEVER back for slow engine and cutter speed and push LEVER forward to fast symbol on dash decal for fast engine and cutter speed.

Clutch/Brake Pedal-

Used to disengage drive to the transaxle and apply the brake to slow or stop machine travel in forward or reverse direction. Used to allow engagement of park brake in locked (on) position. Used to allow starting of engine. Used to release park brake from locked (on) position.

Depress PEDAL to apply brake. Depress PEDAL to allow raising of park brake knob to locked (on) position. Depress PEDAL to allow starting of engine. Depress PEDAL to release park brake from locked (on) position.

Park Brake Knob-

Used to lift the park brake rod and engage with the clutch/brake linkage to secure the brake into the locked (on) position.

Used to allow starting of the engine if the mowing attachment is stoped (PTO. clutch/brake knob is pushed down) without the operator depressing clutch/brake pedal or being on the operators seat.

Used to allow the operator to leave the operating position with the engine running if the park brake is in the locked (on) position and the mowing attachment is also stoped (PTO. clutch/brake knob is pushed down).

Depress brake pedal fully, then lift the park brake KNOB into the locked (on) position and release the brake pedal, leaving the KNOB in the locked (on) position. Depress the clutch/brake pedal to release the park brake and let it return to the off position.

OPERATING INSTRUCTIONS CONT.

Seat Adjustment - Loosen four seat mounting bolts and slide seat into desired position in slots and re-tighten bolts.

Drive Pedal-

Used to control an infinitely variable ground speed between zero and maximum in forward or reverse. Also to select neutral. With engine running and clutch/brake pedal released push down on front of drive pedal to travel forward, push down on back of drive pedal to travel in reverse. When pressure is released from front or back of pedal it will return to neutral position.

Mowing Attachment Cutting Height Adjustment Lever-

Used to change the mowing attachment cutting height. To alter cutting height, lift lever slightly and depress button, move lever up to raise or down to lower the mowing attachment cut height, stop at desired cutting height and release button to lock at 1 of 6 height positions.

NOTE— Do Not mow in any direction on slopes beyond 15 degrees (1 in 3.75).

Transmission Pump By-Pass Lever-

Used to disengage the transmission to allow the mower to be pushed easily. Located at the front of the transmission and left hand side of the chassis. Move lever in for normal operation or move lever out for free wheel.

Fuel Tap Knob-

Used to shut off the fuel line to stop fuel flow to the engine when the tractor is transported or not in operation to reduce the likelihood of fuel leakage. Turn the KNOB clockwise ¼ of a turn from the on position to the off position to shut off the fuel line to stop fuel flowing to the engine. Turn KNOB anticlockwise ¼ of a turn from the off position to the on position to allow fuel to flow to the engine.

Oil Level Dipstick-

Used to indicate oil level in engine when engine is not running. (Refer

to engine owners manual for instructions on checking engine oil level)

TO OPERATE

BEFORE STARTING / STOPPING:

See Engine Maintenance/ Instruction Sheet.

Check engine oil level, check fuel level, turn fuel tap on.

STARTING ENGINE

Cold Engine: To start engine, place speed control lever into choke position, ensure PTO switch is in the "off" position, park brake locked or clutch/brake pedal fully depressed, insert key in key switch, turn key all the way right to start (3rd) position, release key when engine has started.

Note: More than 15 seconds of continuous cranking can damage the starter motor. Short starting cycles give best starter motor life. Allow starter motor to cool for 2 minutes before attempting to restart engine. After engine starts gradually move speed control lever, out of choke position to obtain desired engine speed.

Hot engine:

To start engine, place speed control slightly past slow position, ensure PTO switch is in the "off" position, park brake locked or clutch/brake pedal fully depressed, insert key in key switch, turn key all the way right to start (3rd) position, release key when engine has started. Move speed control lever to obtain desired engine speed.

STOPPING ENGINE

When stopping engine, ensure PTO switch is in the off position, return speed control to fast position, lock park brake, turn key switch to the "off" (1st) position.

DRIVING

To Travel Machine Forward Or Reverse-

With engine running set speed control lever to obtain desired

engine speed, ¾ to full speed for the best mowing finish and for engine and transmission cooling. Release park brake, let the clutch/brake pedal all the way out, apply downward pressure on front of drive pedal to travel forward, or apply downward pressure on back of drive pedal to travel in reverse. It is not necessary to apply foot brake before changing from forward to reverse or reverse to forward. The amount of pedal travel is used to control the ground speed, small downward travel will give a slow ground speed, full downward travel will give a fast ground speed.

NOTE Use slower ground speed for traveling up and down slopes, turning, or mowing heavy growth.

Take care when reversing, always look in the direction of intended travel before changing direction.

To Stop Machine Travel-

Apply clutch/brake pedal fully, this will disconnect the drive belt to the transmission before the brake is activated.

MAINTENANCE INSTRUCTIONS

It is the owner's responsibility to ensure that all-periodical checks, necessary adjustments, services and repairs are carried out. Failure to do so may result in death, personal injury and/or property damage.

Before attempting any maintenance, stop engine, ensure mowing attachment blades have stopped rotating, disconnect spark plug lead from spark plug and ground it, disconnect battery at negative terminal, to prevent accidental starting.

Position machine on a flat level surface for maintenance.

Never alter factory setting of maximum engine R.P.M (3600).

Reference to the left or right side of the machine is determined by sitting in the operating position.

IMPORTANT: If operating in adverse conditions such as those mentioned below, change engine oil, air filter, lubrication and adjustments should be carried out at less time intervals than specified in this booklets maintenance schedule. Ensure machine has park brake engaged when attempting to start engine.

- Mowing in hot or wet conditions.
- Mowing in rough or dusty conditions.
- Mowing hilly areas or continuous heavy load conditions.

CHECK & ADJUST ENGINE OIL LEVEL - Refer to engine owners manual for correct method to check & adjust engine oil level.

CHANGE ENGINE OIL & OIL FILTER (IF FITTED)

Refer to engine owner's manual for correct method to change engine oil & oil filter.

CHECK ENGINE AIR CLEANER & FOAM PRE-CLEANER-

Refer to engine owners manual for correct method to check and service engine air cleaner & foam pre-cleaner.

CHECK ENGINE ROTATING SCREEN Refer to engine owners manual for correct method to check and clean engine rotating screen /debris guard.

LUBRICATION OF MACHINE- Lubrication of machine must be carried out every 25 hours of operation or once a month, whichever occurs first. Lubricate at less time intervals when operated under adverse conditions.

OILING: A few drops of oil should be placed at the following points: Steering rod ends, mower suspension link rod end, height adjustment mechanism.

CHAIN: Use only chain lube for lubrication of the steering chain.

GREASE POINTS: Grease nipples are located on top of the front wheel stub axles.

GREASE STUB AXLES:

Clean grease nipple, use grease gun and general-purpose grease to force old grease from top and bottom of front axle bushes. If grease is not released from bottom of bush jack up front of machine and try again .

ENGINE TO TRANSMISSION VEE BELT ADJUSTMENT- Tension is automatically adjusted by the belt tensioning springs.

ENGINE TO CUTTER VEE BELT ADJUSTMENT- Tension is automatically adjusted by the belt tensioning springs.

TO ADJUST STEERING CHAIN- Adjust chain by loosening the four bolts which hold the steering idler shaft mounting brackets (AM255)

in position, slide forward to tension chain then retighten bolts.

CHECK CLUTCH OPERATION – With pedal in up position check for 3-4mm play in the disengage linkage slot and the disengagement arm pin (adjust after removing 'R' pin and washer) and turning linkage in or out to achieve correct play (replace 'R' pin and washer).

CHECK BRAKE OPERATION –

Apply Clutch/Brake pedal and set park brake, if mower can be pushed brake pad, brake spring, or brake linkage may need servicing.

CHECK OPERATION OF SAFETY SWITCHES:

STARTING

Clutch/Brake switch

With PTO (power take off) switch in disengaged position (down/off) attempt to start engine without the clutch/brake pedal depressed. **Engine should not start.**

PTO switch

Sit on seat with the clutch/brake pedal fully depressed and PTO switch engaged (On), attempt to start engine. **Engine should not start.**

Key Switch

With PTO switch in down (disengaged/off) position & clutch/brake pedal fully depressed turn key switch to start position. **Engine should start.**

STOPPING

Seat switch

Sit on seat and start engine, engage cutter, (manual or electric control) and lift weight from seat.

Engine should stop.

Clutch/Brake switch

Sit on seat and start engine depress clutch/brake pedal and apply park brake, lift weight from seat. **Engine should continue to run.**

Sit on seat with engine running and park brake off , clutch/brake pedal not depressed and lift weight from seat.

Engine should stop.

Key Switch

Sit on seat and start engine, turn key switch to stop position.

Engine should stop.

CUTTER BRAKE ADJUSTMENT-

If cutter fails to stop within 8 seconds, electric clutch/brake requires adjustment by servicing dealer.

CUTTER HEIGHT ADJUSTMENT- Stop engine, ensure mowing attachment blades have stopped rotating, disconnect spark plug lead from spark plug and ground it, disconnect battery at negative terminal, to prevent accidental starting. If the Mowing Attachment can not be positioned to give a satisfactory grass cut height using the available notches on the cut height mechanism, position the mower on a smooth level surface, lock the park brake on, and lower the Mowing Attachment to the notch above the desired cut height. Place 3 equal height spacers (that can support the mowing attachments weight) , of the desired height, under the mowing attachment one on each side at the lower front adjacent to the cut-out & one at the middle of the back and lower the Mowing Attachment onto them. Loosen the 2 short screws located together on the front of the rear suspension mount. Push the rear link

rearwards until it stops and retighten the 2 screws. Lift the Mowing attachment off the spacers and remove the spacers and check the cut height is as desired and the deck is level to slightly higher (3—5 mm) at the back. Adjust height again if required.

REPLACE BLADES- Stop engine, ensure mowing attachment blades have stopped rotating, disconnect spark plug lead from spark plug and ground it, disconnect battery at negative terminal, to prevent accidental starting. Check condition of cutter disc remove the blade nut using a suitable spanner (if using a socket remove the blanking grommet to gain access to the blade nut) and replace all blades, bolts, nuts and washers to preserve balance, tighten blade nut to (36-40Nm). Do not over tighten. Re-fit blanking grommet if removed.

TO REMOVE MOWING ATTACHMENT –

Stop engine, ensure mowing attachment blades have stopped rotating, and spark plug lead is disconnected & grounded, disconnect battery negative terminal to prevent accidental starting, disconnect the belt tensioning spring (front left hand side of mowing attachment). Lower mowing attachment onto 20mm block front and rear. Remove cutter belt from engine pulley. Remove two M10 x 50mm bolts, nuts & washers from mower suspension link at rear of the mowing attachment. Remove mowing attachment pivot pin lock screw and nut (6mm) and remove mowing attachment pivot pin. Remove the M8x35mm bolt from the cradle frame attachment bracket. Turn the front wheels a little to the left and twist the mowing attachment to the right and slide the deck from under the mower to the right side.

Re-assemble in reverse order. To assist in refitting mowing attachment pivot pin, raise the mowing attachment slightly. Refit mower suspension link & lifting links and M10x50mm bolts, nuts and washers. Refit cutter belt, connect belt tensioning spring and refit spark plug lead and battery terminal.

BATTERY MAINTENANCE- Batteries can be dangerous as they contain acids (corrosive chemicals), flammable vapours, large amounts of stored electrical energy, which may cause chemical burns, explosions or fires. Where goggles and a protective face guard. Remove jewellery/watches before handling the battery. Do not perform any battery maintenance where there are open flames or the possibility of sparks. Always work in a well ventilated area. Ensure the top of the battery is clean and dry (free of dirt and grime) as a dirty battery can discharge across the top of the battery casing. Inspect the terminals, screws and cables for breakage, damage or loose connections and they are clean, tight and free of corrosion. When not in use, a battery discharges by as much as 1% a day, more when the climate is warm. To make up for this loss, a boosting charge should be given once a month. Disconnect battery terminals (negative terminal first) to charge, then allow to stand minimum 1/2hr before re-connecting (negative terminal first). If a battery is not used for a period of more than three (3) months, the terminals should be disconnected and trickle charged at two (2) amps for two (2) hours once every three (3) months or before use. At the end of any maintenance ensure the battery is securely fastened in place, especially if it has been removed.

MAINTENANCE INSTRUCTIONS cont.

CHECK TYRE PRESSURES - Uneven pressure can give an uneven finish when mowing and overly low or high pressures may cause damage to tyres and/or tubes. The recommended pressure is: 140kPa (20 P.S.I.) Front. 140kPa (20 P.S.I.) Rear.

CLEANING MACHINE WITH WATER PRESSURE - Allow machine to cool down (min 2 hrs) before hosing down. Start engine and engage drive and cutting systems to clear water from pulleys and belts. Stop engine and allow machine to dry. Lubricate as required. Do not cover machine with plastic or vinyl type material.

CLEANING AND POLISHING PLASTIC BONNET & MUDGUARD - To keep scratches on bonnet & foot pan to minimum, do not rub or brush off with bare hands, use a soft cloth or a light flow of compressed air. For dirt, wash with a steady stream of water only (no detergent), then blow off excess water with air. To polish remove excess dust or dirt. When surface is dry, spray on an automotive type plastic preservative and leave on for 30 to 60 seconds. Using a dry soft cloth (i.e. cheesecloth) wipe off to bring up lustre.

GENUINE SPARE PARTS - Always use Genuine COX Spare Parts. Use of non-genuine COX spare parts will void your warranty.

SAFETY FIRST -

The use of mechanical devices can cause injury or property damage if incorrect procedures are used. Please ensure all operators & users read & understand all safety instructions in this manual.

CHECK FOR LOOSE FASTENERS - TORQUE SETTINGS

5/16" UNC BOLT	20Nm (15lbf ft)
3/8" UNC bolt/nut	36Nm (27lbf ft)
7/16" UNF BOLT	68Nm (50lbf ft)
6mm BOLT/NUT	9Nm (6lbf ft)
8mm BOLT/NUT	15Nm (11lbf ft)
10mm NUT	44Nm (32lbf ft)
12mm NUT	53Nm (39lbf ft)

MAINTENANCE SCHEDULE

BEFORE EACH USE

- | | | | | | | | | | | |
|--|--|--|---|---|--|-------------------|--------------------------------|--|--|------------------------|
| Check engine oil level, adjust if required | Check engine air cleaner & foam pre-cleaner, service if required | Check engine rotating screen/finger guard, clean if required | Check operation of safety switches, service if required | Check clutch/ brake operation, adjust if required | Check tyre pressures, adjust if required | Grease stub axles | Lubricate steering ball joints | Check for loose fasteners, tighten if required | Check mowing attachment cutter blades, bolts, nuts, housing, chute, grass catcher and guards for wear or damage, repair or replace if required | Lubricate as necessary |
|--|--|--|---|---|--|-------------------|--------------------------------|--|--|------------------------|

BEFORE EXTENDED STORAGE Change engine oil - Clean machine - Lubricate fully - Remove all fuel from engine, fuel lines & tank or add fuel stabiliser

EVERY 5 HOURS

- | | | |
|--|---|---|
| Check engine oil level, adjust if required | Check engine air cleaner & foam pre-cleaner, service if required* | Check engine rotating screen/finger guard, clean if required* |
|--|---|---|

***Service more often under dusty conditions, or where air borne debris is present**

FIRST MONTH OR 5 HOURS which ever occurs first

- | | | | | | | | | | |
|-------------------|---|--|--|---|---|--|-------------------|---|--|
| Change engine oil | Check engine air cleaner & foam pre-cleaner, service if req | Check engine rotating screen/finger guard, clean if required | Check for loose fasteners, tighten if required | Check clutch/ brake operation, adjust if required | Check operation of safety switches, service if required | Check tyre pressures, adjust if required | Grease stub axles | Lubricate steering ball joints (rod ends) | Check mowing attachment cutter blades, bolts, nuts, housing, chute, grass catcher and guards for damage, repair or replace if required |
|-------------------|---|--|--|---|---|--|-------------------|---|--|

DATE / / HOURS.....DEALER.....

3 MONTHS OR 25 HOURS which ever occurs first

- | | | | | | | | | | | |
|---|---|--|--|---|--|--|---------------------|---|--|--|
| Change engine oil if operating under heavy load or high ambient temperature | Check engine air cleaner & foam pre-cleaner, service if req * | Check engine rotating screen/finger guard, clean if required * | Check battery condition, service if required | Check clutch/ brake operation, adjust if required | Check operation of safety switches and replace if required | Check tyre pressures, adjust if required | Grease stub axles * | Lubricate steering ball joints (rod ends) | Check for loose fasteners, tighten if required | Check mowing attachment cutter blades, bolts, nuts, housing, chute, grass catcher and guards for wear or damage, repair or replace if required |
|---|---|--|--|---|--|--|---------------------|---|--|--|

***Service more often under dusty conditions, or where air borne debris is present**

DATE / / HOURS.....DEALER.....

6 MONTHS OR 50 HOURS which ever occurs first

Change engine oil	Check steering chain and sprockets for wear, adjust if required
If fitted clean engine exhaust spark arrester	Check mowing attachment electric clutch brake air gap, adjust if req.
Check engine air cleaner & foam pre-cleaner, service if req *	Check mowing attachment electromagnetic clutch/brake for operation, service if required
Check engine rotating screen/finger guard, clean if required *	Check for loose fasteners, tighten if required
Check clutch/ brake operation and pads for wear, adjust or replace if required	Check battery condition, service if required
Check tyre pressures, adjust if required	Check mowing attachment cutter blades, bolts, nuts, housing, chute, grass catcher and guards for wear or damage, repair or replace if required
Check operation of safety switches, service if required	#Replace Hydrostatic transaxle oil with 5W50 synthetic oil
Check belts for wear or damage, replace if required	
Grease stub axles *	
Lubricate steering ball joints (rod ends)	

*Service more often under dusty conditions, or where air borne debris is present

#Service if in commercial and /or heavy useage applications

DATE / / HOURS.....DEALER.....

9 MONTHS OR 75 HOURS which ever occurs first

Change engine oil if operating under heavy load or high ambient temperature	Check tyre pressures, adjust if required
Check engine air cleaner & foam pre-cleaner, service if req *	Grease stub axles *
Check engine rotating screen/finger guard, clean if required *	Lubricate steering ball joints (rod ends)
Check for loose fasteners, tighten if required	Check battery condition, service if required
Check clutch/ brake operation, adjust if required	Check mowing attachment cutter blades, bolts, nuts, housing, chute, grass catcher and guards for wear or damage, repair or replace if required
Check operation of safety switches and replace if required	

*Service more often under dusty conditions, or where air borne debris is present

DATE / / HOURS.....DEALER.....

12 MONTHS OR 100 HOURS which ever occurs first

If fitted replace engine oil filter.	Lubricate steering ball joints (rod ends)
Change engine oil.	Check belts for wear or damage, replace if required.
Check engine spark plug, clean, adjust, or replace if required.	Check operation of safety switches, service if required.
If fitted clean engine exhaust spark arrester.	Check mowing attachment electromagnetic clutch/brake for operation, service if required
Check engine air cleaner & foam pre-cleaner, service if req *.	Check battery condition, service if required.
Replace engine air cleaner cartridge, service if required*.	Check for loose fasteners, tighten if required
Clean engine cooling system*.	Check steering chain and sprockets for wear, adjust if required.
Check clutch/ brake operation and pads for wear, adjust or replace if req.	Check mowing attachment cutter blades, bolts, nuts, housing, chute, grass catcher and guards for wear or damage, repair or replace if required.
Replace in-line fuel filter.	
Check tyre pressures, adjust if required.	
Grease stub axles *.	

*Service more often under dusty conditions, or where air borne debris is present

DATE / / HOURS.....DEALER.....

15 MONTHS OR 125 HOURS which ever occurs first

Change engine oil if operating under heavy load or high ambient temperature.	Grease stub axles *.
Check engine air cleaner & foam pre-cleaner, service if required *.	Lubricate steering ball joints (rod ends)
Check engine rotating screen/finger guard, clean if required *.	Check tyre pressures, adjust if required.
Check operation of safety switches and replace if required.	Check for loose fasteners, tighten if required.
Check clutch/ brake operation, adjust if required.	Check battery condition, service if required.
	Check mowing attachment cutter blades, bolts, nuts, housing, chute, grass catcher and guards for wear or damage, repair or replace if required.

*Service more often under dusty conditions, or where air borne debris is present

DATE / / HOURS.....DEALER.....

18 MONTHS OR 150 HOURS which ever occurs first

- | | |
|---|--|
| <p>Change engine oil.
 If fitted clean engine exhaust spark arrestor.
 Check engine air cleaner & foam pre-cleaner, service if req*.
 Check engine rotating screen/finger guard, clean if req *.
 Check clutch/ brake operation and lining for wear, adjust or replace if req.
 Check operation of safety switches, service if required.
 Check tyre pressures, adjust if required.
 If fitted check mowing attachment brake pad for wear, replace if required.</p> | <p>Check battery condition, service if required.
 Check for loose fasteners, tighten if required.
 Check belts for wear or damage, replace if required.
 Check steering chain and sprockets for wear, adjust if required.
 Grease stub axles *.
 Lubricate steering ball joints (rod ends)
 Check mowing attachment electric clutch brake air gap, adjust if req.
 Check mowing attachment cutter blades, bolts, nuts, housing, chute, grass catcher and guards for wear or damage, repair or replace if req</p> |
|---|--|

*Service more often under dusty conditions, or where air borne debris is present

DATE / / HOURS.....DEALER.....

21 MONTHS OR 175 HOURS which ever occurs first

- | | |
|--|---|
| <p>Change engine oil if operating under heavy load or high ambient temperature.
 Check engine air cleaner & foam pre-cleaner, service if required *.
 Check engine rotating screen/finger guard, clean if required *.
 Check clutch/ brake operation, adjust if required.
 Check operation of safety switches and replace if required.</p> | <p>Check tyre pressures, adjust if required.
 Grease stub axles *.
 Lubricate steering ball joints (rod ends)
 Check battery condition, service if required.
 Check for loose fasteners, tighten if required.
 Check mowing attachment cutter blades, bolts, nuts, housing, chute, grass catcher and guards for wear or damage, repair or replace if required</p> |
|--|---|

*Service more often under dusty conditions, or where air borne debris is present

DATE / / HOURS.....DEALER.....

24 MONTHS OR 200 HOURS which ever occurs first

- | | |
|---|--|
| <p>If fitted replace engine oil filter. Change engine oil.
 Check engine spark plug, clean, adjust, or replace if required.
 If fitted clean engine exhaust spark arrestor.
 Check engine air cleaner & foam pre-cleaner, service if req*
 Check engine air cleaner cartridge, service if required.
 Clean engine cooling system*.
 Replace in-line fuel filter.
 Check clutch/ brake operation and pads for wear, adjust or replace if req.
 Check operation of safety switches, service if required.
 Check tyre pressures, adjust if required.</p> | <p>Grease stub axles *
 Lubricate steering ball joints (rod ends)
 Check steering chain and sprockets for wear, adjust if req
 Check belts for wear or damage, replace if required.
 Check mowing attachment electromagnetic clutch/brake for operation, service if required
 Check battery condition, service if required
 Check for loose fasteners, tighten if required
 Check mowing attachment cutter blades, bolts, nuts, housing, chute, grass catcher and guards for wear or damage, repair or replace if required.
 Replace Hydro oil with 5W50 synthetic oil</p> |
|---|--|

*Service more often under dusty conditions, or where air borne debris is present

DATE / / HOURS.....DEALER.....

27 MONTHS OR 225 HOURS which ever occurs first

- | | |
|---|--|
| <p>Change engine oil if operating under heavy load or high ambient temperature.
 Check engine air cleaner & foam pre-cleaner, service if req
 Check engine rotating screen/finger guard, clean if req *.
 Check clutch/ brake operation, adjust if required.
 Check operation of safety switches and replace if req.
 Check tyre pressures, adjust if required.</p> | <p>Grease stub axles *.
 Lubricate steering ball joints (rod ends)
 Check battery condition, service if required.
 Check for loose fasteners, tighten if required.
 Check mowing attachment cutter blades, bolts, nuts, housing, chute, grass catcher and guards for wear or damage, repair or replace if req.</p> |
|---|--|

*Service more often under dusty conditions, or where air borne debris is present

DATE / / HOURS.....DEALER.....

30 MONTHS OR 250 HOURS which ever occurs first

Change engine oil.

If fitted clean engine exhaust spark arrestor.

Check engine air cleaner & foam pre-cleaner, service if req*.

Check engine rotating screen/finger guard, clean if req *.

Check clutch/ brake operation and pads for wear, adjust or replace if req.

Check operation of safety switches, service if required.

Check tyre pressures, adjust if required.

Grease stub axles *.

Lubricate steering ball joints (rod ends)

Check steering chain and sprockets wear, adjust if required.

Check mowing attachment electric clutch brake air gap, adjust if req.

Check mowing attachment cutter blades, bolts, nuts, housing, chute, grass catcher and guards for wear or damage, repair or replace if required.

Check belts for wear or damage, replace if required

Check battery condition, service if required.

Check for loose fasteners, tighten if required

#Replace Hydrostatic transaxle oil with 5W50 synthetic oil

*Service more often under dusty conditions, or where air borne debris is present

#Service if in commercial and /or heavy useage applications

DATE / / HOURS.....DEALER.....

33 MONTHS OR 275 HOURS which ever occurs first

Change engine oil if operating under heavy load or high ambient temp.

Check engine air cleaner & foam pre-cleaner, service if required *

Check engine rotating screen/finger guard, clean if req *

Check clutch/ brake operation, adjust if required

Check operation of safety switches and replace if required

Check tyre pressures, adjust if required

Grease stub axles *

Lubricate steering ball joints (rod ends)

Check mowing attachment cutter blades, bolts, nuts, housing , chute, grass catcher and guards for wear or damage, repair or replace if required

Check battery condition, service if required

Check for loose fasteners, tighten if required

*Service more often under dusty conditions, or where air borne debris is present

DATE / / HOURS.....DEALER.....

36 MONTHS OR 300 HOURS which ever occurs first

If fitted replace engine oil filter Change engine oil

Check engine spark plug, clean, adjust, or replace if required

If fitted clean engine exhaust spark arrestor

Check engine air cleaner & foam pre-cleaner, service if required *

Check engine air cleaner cartridge, service if required

Clean engine cooling system*

Replace in-line fuel filter

Check clutch/ brake operation and lining for ware, adjust or replace if req

Check operation of safety switches, service if required

Check tyre pressures, adjust if required

Grease stub axles *

Lubricate steering ball joints (rod ends)

Check steering chain and sprockets wear, adjust if required

Check belts for wear or damage, replace if required

If fitted check mowing attachment brake pad for wear, replace if required

Check battery condition, service if required

Check for loose fasteners, tighten if required

Check mowing attachment electric clutch brake air gap, adjust if req.

Check mowing attachment cutter blades, bolts, nuts, housing, chute, grass catcher and guards for wear or damage, repair or replace if required

*Service more often under dusty conditions, or where air borne debris is present

DATE / / HOURS.....DEALER.....

**We are proud that you have purchased a Cox product and urge you to follow these instructions to obtain the maximum life for your machine.
If in doubt check with your supplier.**



COX INDUSTRIES MOWER WARRANTY POLICY

DEFINITIONS:

"Commercial Use" means all uses other than Domestic use, including any use that is income producing, rental, or is in relation to use in schools, by government departments or charity operators.

"COX INDUSTRIES" means Cox Industries (Australia) Pty Ltd ACN 050 991 038.

"Dealer" means an authorised COX INDUSTRIES dealer a list of which can be found on our website: www.coxmowers.com.au or freecall us on 1800 330 444.

"Domestic Use" means use for a personal, residential or household (property) purpose.

"Mower" means any ride-on mower manufactured by COX INDUSTRIES.

"Parts" means all parts that can be found in a Mower.

"Warranty Period" means:

- 1) for Domestic Use, a period of two (2) years; or
- 2) for Commercial Use, a period of six (6) months, from the original date of purchase.

NEW MOWER:

Our goods come with guarantees that cannot be excluded under the Australian Consumer Law. You are entitled to a replacement or refund for a major failure and compensation for any other reasonably foreseeable loss or damage. You are also entitled to have the goods repaired or replaced if the goods fail to be of acceptable quality and the failure does not amount to a major failure.

Nothing in this Warranty purports to modify or exclude the conditions, warranties and undertakings, and other legal rights, under the Australian Consumer Law. This Warranty gives you additional protection for your Mower, and identifies a preferred approach to resolving warranty claims which will be quickest and simplest for all parties, subject to the exclusions, terms and conditions below.

WARRANTY PERIOD:

COX INDUSTRIES warrants in respect of each new Mower sold that, subject to the exclusions below, for the Warranty Period COX INDUSTRIES or a Dealer will repair or replace free of charge any Parts found to be defective in materials or workmanship under normal use and operating conditions. Other than for major failure, it is at COX INDUSTRIES sole discretion as to whether the Mower or Part is repaired or replaced.

MOWER PARTS INSTALLED DURING NEW MOWER WARRANTY PERIOD:

Warranty coverage for Parts installed during the new Mower Warranty Period shall consist of the remainder of the new mower Warranty Period or ninety (90) days, whichever ever is greater, provided the installation is performed by an authorised Dealer.

TO CLAIM THE WARRANTY:

To make a claim under this Warranty, please bring or send the Mower to an authorised Dealer with a copy of your proof of purchase of the Mower. A claim under this Warranty is not formally made unless and until that proof of purchase is provided. This does not detract from your statutory rights.

WARRANTY REGISTRATION:

The warranty registration card must be completed by the Dealer with the customer at the time of purchase and returned to COX INDUSTRIES within 14 days.

This Warranty is transferable to a subsequent owner of a Mower, in the event of the sale of that product, provided that COX INDUSTRIES is informed in writing within a reasonable time of the sale of the subsequent owner's name and contact details, such notice to be provided to COX INDUSTRIES. The notice should identify the name of the previous owner of the Mower, place and date of purchase, model, make and serial number of the Mower. The effective transfer of this Warranty does not otherwise alter the terms of this Warranty in any way.

WARRANTY EXCLUSIONS:

This Warranty does not cover:

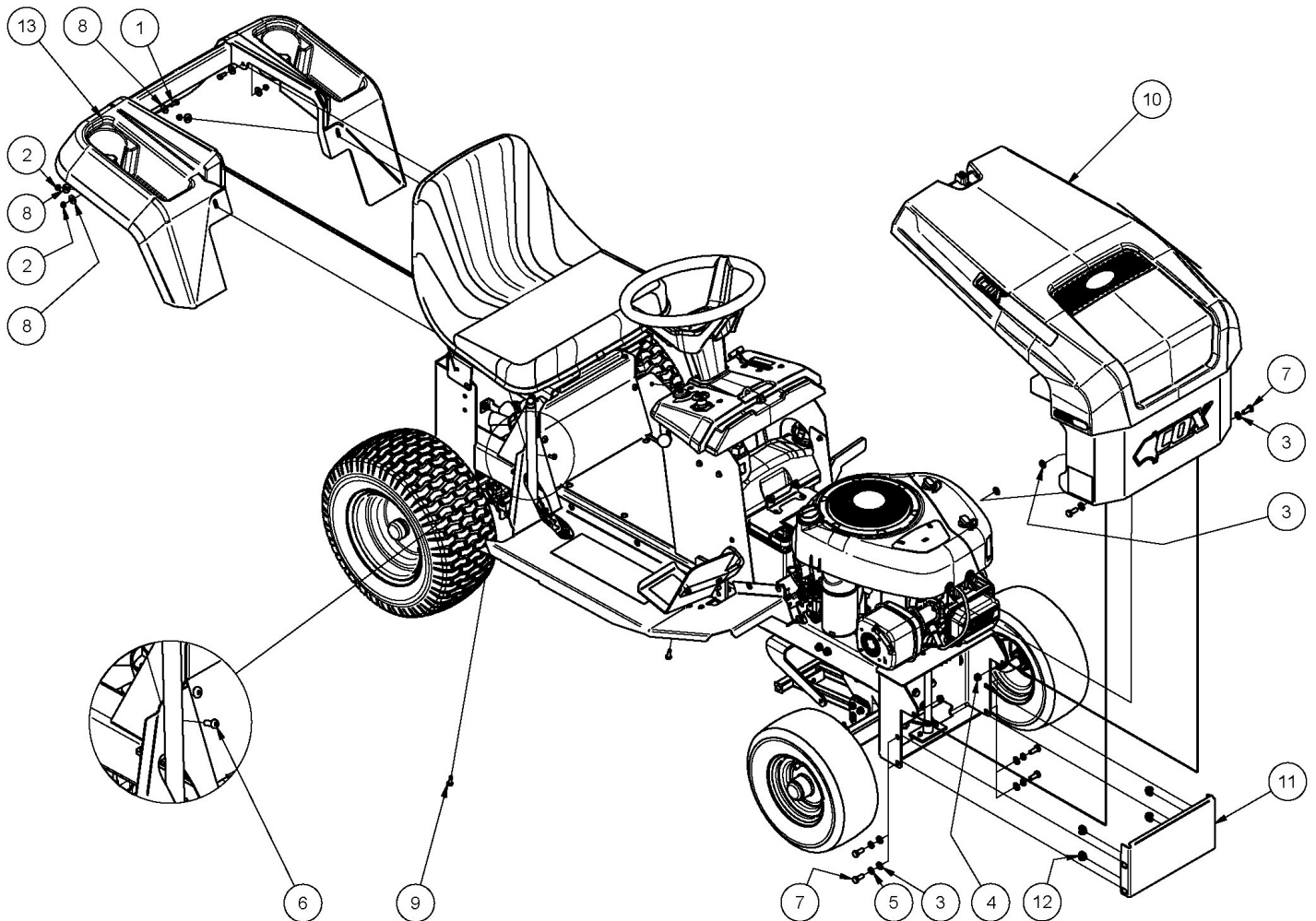
- 1) the costs of rental of another machine or related equipment while repairs are in progress;
- 2) telephone, facsimile or other related communication expenses.
- 3) transportation and insurance charges during transportation of failed Mower or any part thereof;
- 4) the labour, parts, mechanical adjustments or lubricant costs which, in the judgement of COX INDUSTRIES or their Dealer, should have been made as standard maintenance according to the COX INDUSTRIES maintenance schedule;
- 5) the replacement of or service costs relating to replacing and maintaining consumable parts which have ceased working through normal wear and tear such as, but not limited to, normal maintenance parts such as mower discs, blades, bolts and nuts, vee belts, bearings, chains and clutch cones;
- 6) any damage or defect caused by alteration, modification, fitment of a non-genuine part or attachment not approved by COX INDUSTRIES or repair, modification or work carried out on the Mower other than by a Dealer;
- 7) any defect caused by misuse, negligence, accidents or failure to carry out proper maintenance procedures;
- 8) damage caused by continued operation of the machine after it is known to be defective;
- 9) any other expenses incurred by the consumer in making the warranty claim;
- 10) damage caused by incorrect or improper operation (including racing or similar activities), maintenance or not following the instructions or maintenance requirements of the Mower in accordance with the instructions provided with the Mower;
- 11) damage caused by failure to clean or improper cleaning of the product;
- 12) damage caused by adverse external conditions such as thunderstorm activity, acts of God, acts of terrorism, damage caused by vermin, or any other act or circumstance beyond COX INDUSTRIES' control; or
- 13) damage caused by exposure to excessive heat, moisture or dampness, or exposure to abnormally corrosive conditions.

For the avoidance of any doubt, any and all warranties or conditions which are not guaranteed under the Australian Consumer Law or the Australian Competition and Consumer Regulations 2010 and which are not expressly included in this Warranty as additional warranties or conditions are excluded.

To the extent applicable by law, COX INDUSTRIES will not accept liability for costs of labour, postage, cartage or delivery to replace faulty materials or parts, or for any loss, damage or accident directly, indirectly, or consequently suffered by the purchaser, operator or any other person or property as a result of such faults whether due to defective materials or workmanship or otherwise.

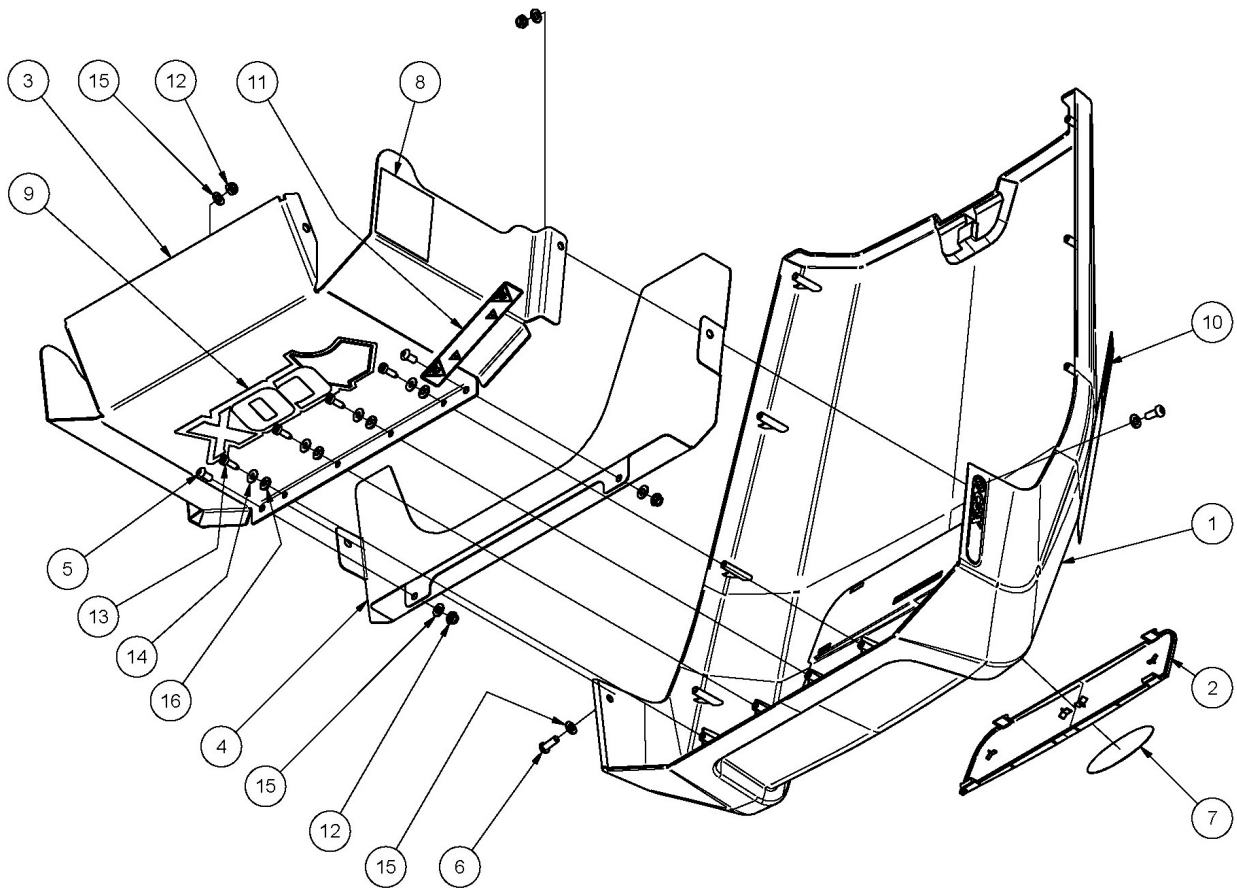
Due to COX INDUSTRIES on-going commitment to product improvement, we reserve the right to change at any time, product specifications, configurations and company policies.

PLEASE REGISTER YOUR WARRANTY ONLINE AT <http://www.coxmowers.com.au/warranty-registration/>



PARTS LIST - BODY - BONNET, MUDGUARD, FRONT COVER

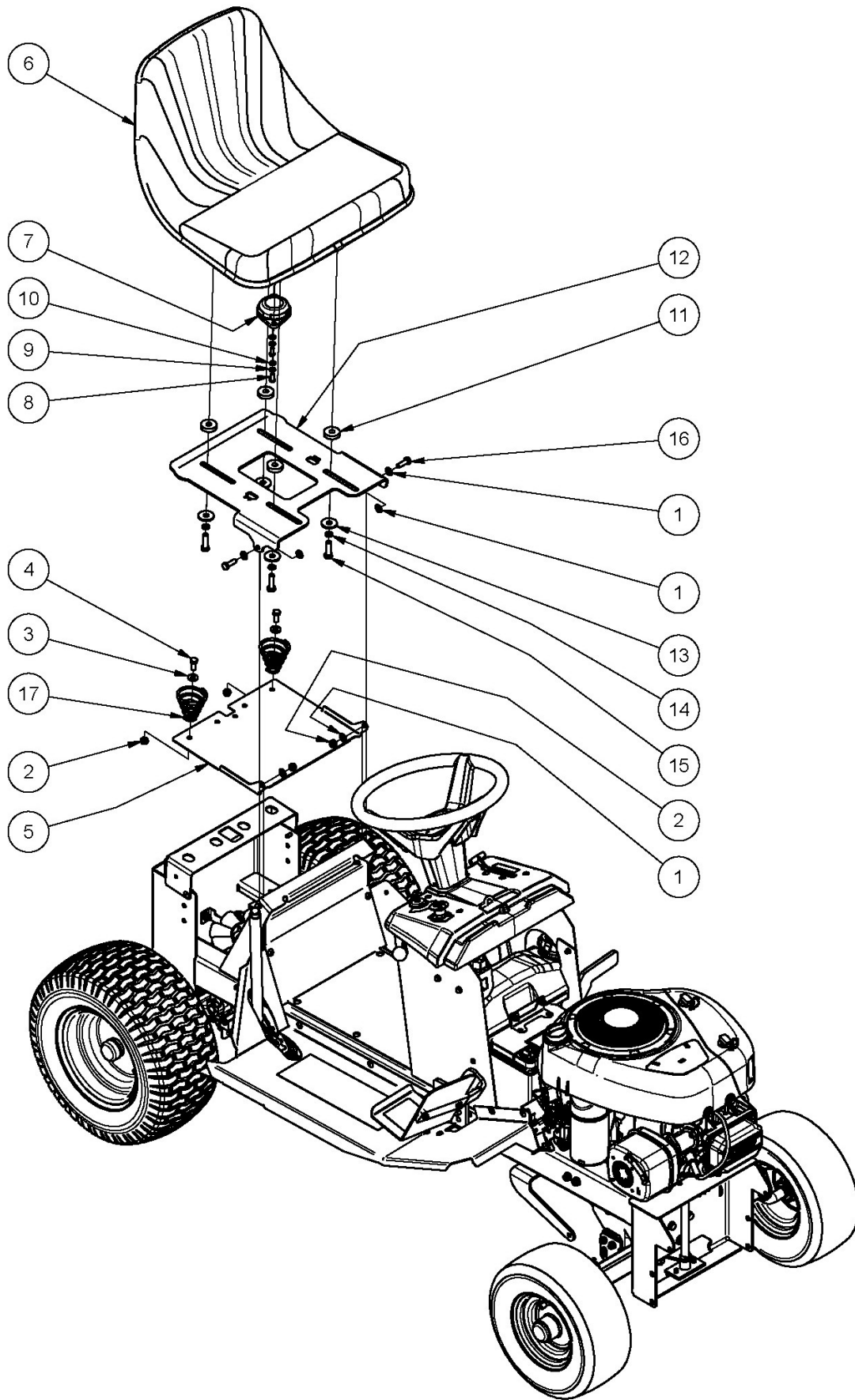
ITEM	PART NUMBER	DESCRIPTION	QTY
1	SH0616M	Screw, Hex, M 6x 16, Pc4.6	2
2	NM6NT	Nut, Hex, Nyloc, Thin, M 6, Pc6 pl	4
3	W08MN	Washer, Flat, Bright, M 8x 17x1, 2	8
4	NM8NT	Nut, Hex, Nyloc, Thin, M 8, Pc6	2
5	WS050216	Washer, Lock, Spring, 5/16"X1/8"X1/16"	4
6	BHSSM6X16	Screw, Button, Hex Soc, M 6x 16, Pc10.9	2
7	SH0820M	Screw, Hex, M 8x 20, Pc8.8	6
8	W041216	Washer, Flat, Bright, 1/4"X3/4"X16g	6
9	SPPK6X20	Screw, Pan, Posi3, K 6x 20	2
10		Sub-Assy, Bonnet, Sman 3500	1
11	A179223R	Cover, Front, Red	1
12	NCM8X1.6	Nut, Cage, M 8, 1.6 Panel, 12.7 Sq Hole	4
13	A182012	Mudguard	1



PARTS LIST - BONNET

ITEM	PART NUMBER	DESCRIPTION	QTY
1	A163010	Cowl, Bonnet, Red	1
2	A163018	Grill, Bonnet, Black	1
3	A179141R	Nose, Bonnet, Sman3500	1
4	A179143B	Baffle, Air, Hot, Bonnet	1
5	BHSSM6X12	Screw, Button, Hex Soc, M 6x 12, Pc10.9	2
6	BHSSM6X16	Screw, Button, Hex Soc, M 6x 16, Pc10.9	2
7	DEC180	Badge, Bonnet	1
8	DEC240	Decal, Proudly Australian	2
9	DEC330	Decal, Cox, 250x 80	1
10	DEC361	Decal, Stockman 3500, Cox, Bonnet, Side	2
11	DEC362	Decal, Caution, Hot Surface	1
12	NM6NT	Nut, Hex, Nyloc, Thin, M 6, Pc6	4
13	SPPK5X16	Screw, Pan, Pozi2, K 5x 16	4
14	W030820	Washer, Flat, Bright, 3/16" X 1/2"X 20 G	4
15	W06MN	Washer, Flat, Bright, M 6x 12.5x1.2	6
16	WSR12	Washer, Seal	4

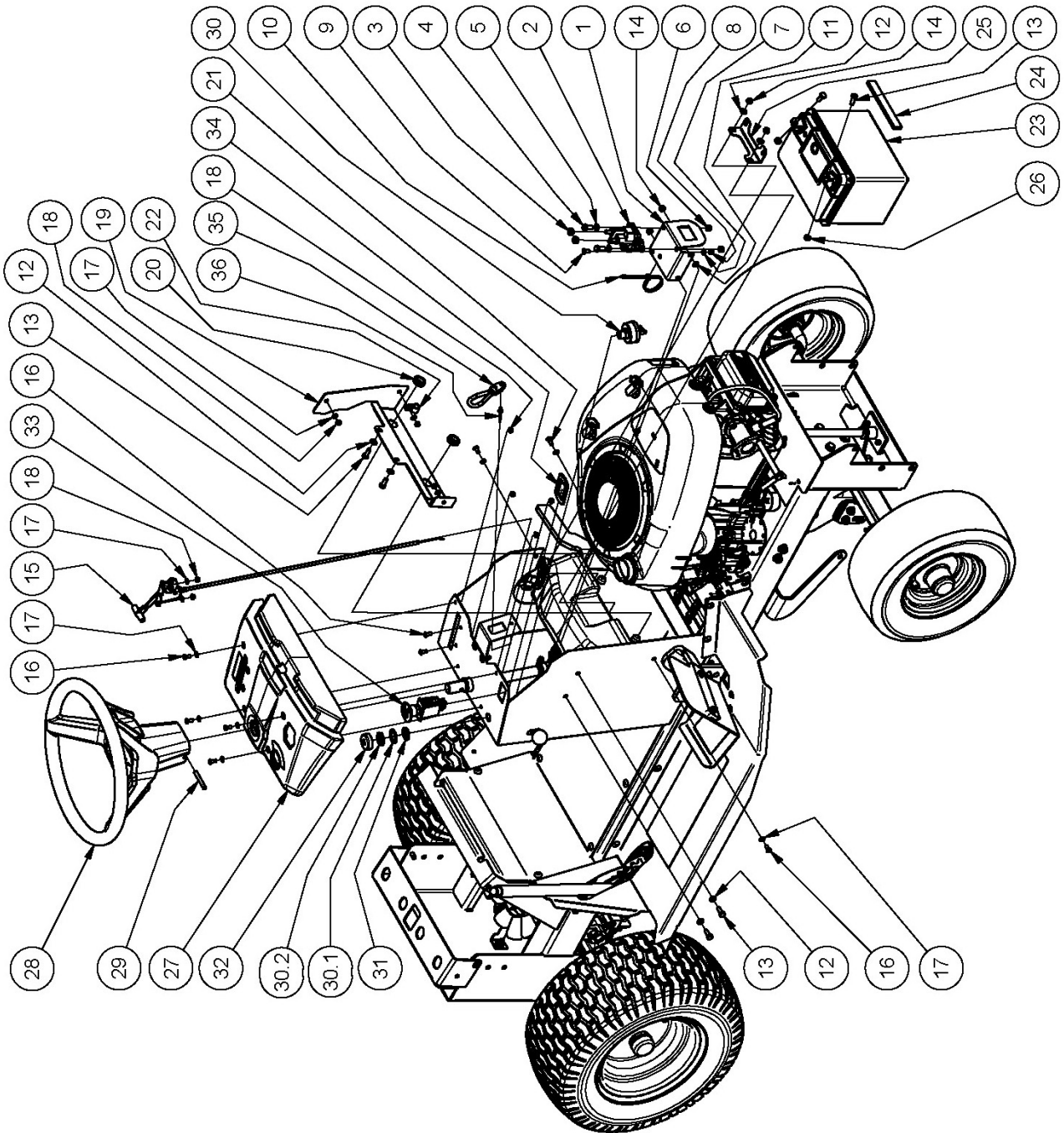
EXPLODED VIEW - BODY - SEAT



PARTS LIST - BODY - SEAT

ITEM	PART NUMBER	DESCRIPTION	QTY
1	W08MN	Washer, Flat, Bright, M 8x 17x1, 2	6
2	NM8NT	Nut, Hex, Nyloc, Thin, M 8, Pc6	4
3	W05M202	Washer, Flat, Bright, 5/16"X3/4"X14g	2
4	SH0820M	Screw, Hex, M 8x 20, Pc8.8	2
5	A179219R	Cover, Transaxle, Hydro	1
6	A140110	Seat	1
7	AM16512F	Switch, Seat, Nc, Flange, Bolt Mtg	1
7.1	SP1PNCM	Switch, Plunger, 1 Pole, Nc, Snap Mtg	1
8	BHSSC0410	Screw, Button, Hex Soc, Unc, 1/4"X 5/8", Pc10.9	2
9	WS040816	Washer, Lock, Spring, 1/4"X3/32"X1/16"	2
10	W040818	Washer, Flat, Bright, 1/4"X1/2"X18g	2
11	W103208	Washer, Flat, Black, 10.5x32x8	4
12	A163062R	Mount, Seat	1
13	W0620HD	Washer, Flat, Black, 3/8"X1-1/4"X3	4
14	WS06081.5	Washer, Lock, Spring, 3/8"X1/8"X3/32"	4
15	B0620C	Bolt, Hex, Unc, 3/8"X1-1/4", Gr5	4
16	SH0825M	Screw, Hex, M 8x 25, Pc8.8	2
17	A163060	Spring, Compression, Conical, Seat	2

EXPLODED VIEW - BODY - CONSOLE



PARTS LIST - BODY - CONSOLE

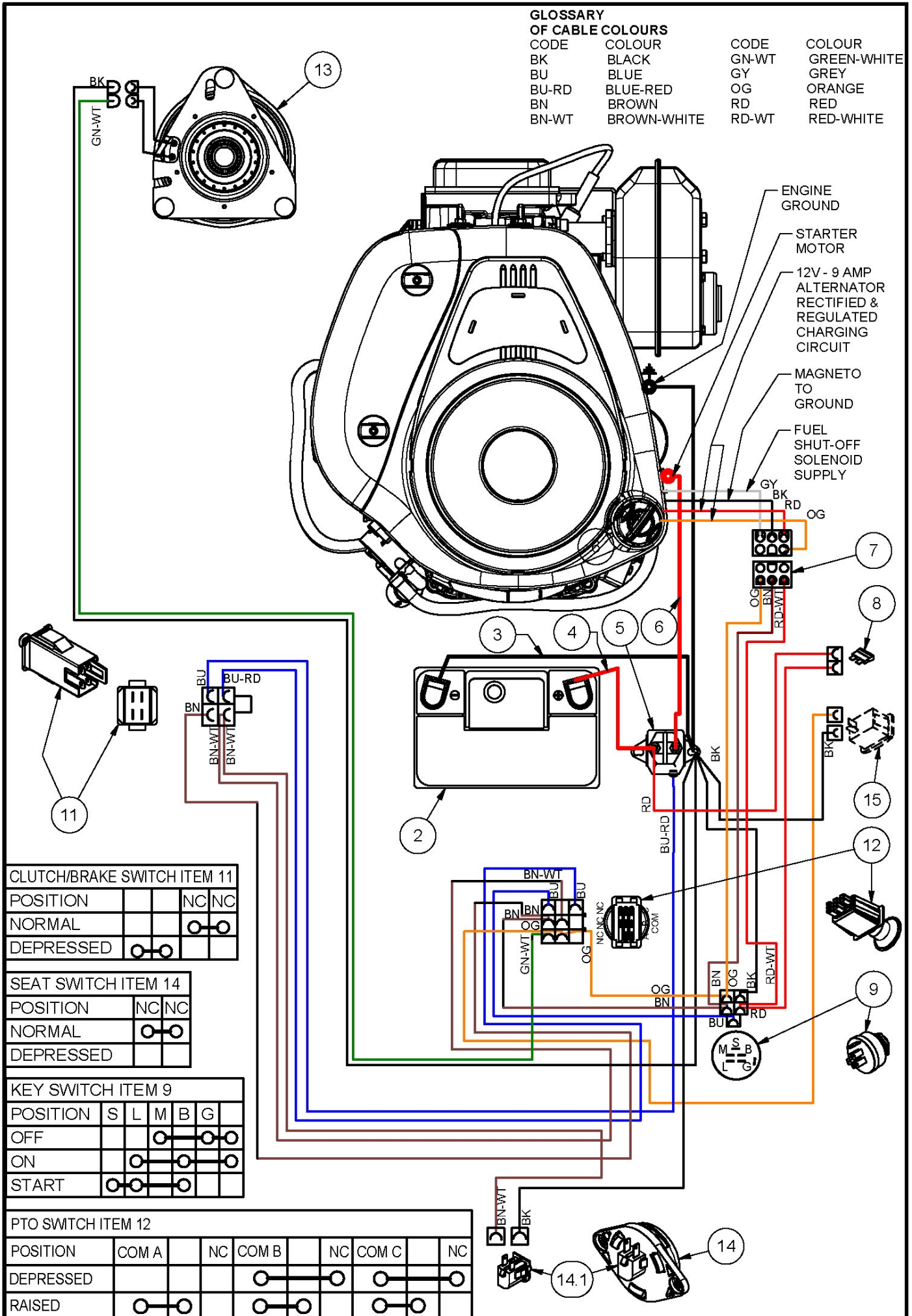
ITEM	PART NUMBER	DESCRIPTION	QTY
1	A16801016G	Bracket, Solenoid /Hourmeter	1
2	AM159	Solenoid	1
3	N04C	Nut, Hex, Unc, 1/4", Gr5	2
4	SH0616M	Screw, Hex, M 6x 16, Pc4.6	2
5	W06MN	Washer, Flat, Bright, M 6x 12.5x1.2	2
6	NM6NT	Nut, Hex, Nyloc, Thin, M 6, Pc6	2
7	W05MN	Washer, Flat, Bright, M 5x 10x1.0	1
8	NM5NT	Nut, Hex, Nyloc, Thin, M5, Pc6	1
9	BHSSM5X12	Screw, Button, Hex Soc, M 5 X 12, Pc10.9	1
10	CABLETIE5	Cable Tie	1
11	WM6S	Washer, Lock, Int Tooth, M 6	1
12	W06MN	Washer, Flat, Bright, M 6x 12.5x1.2	6
13	SH0616M	Screw, Hex, M 6x 16, Pc4.6	6
14	NM6NT	Nut, Hex, Nyloc, Thin, M 6, Pc6	6
15	A179221	Control, Speed, Engine, B&S, L= 510	1
16	BHSSM5X12	Screw, Button, Hex Soc, M 5 X 12, Pc10.9	6
17	W05MN	Washer, Flat, Bright, M 5x 10x1.0	12
18	NM5NT	Nut, Hex, Nyloc, Thin, M5, Pc6	9
19	A179215R	Bracket, Tank, Fuel	1
20	80037	Grommet	2
21	BHSSM5X16	Screw, Button, Hex Soc, M 5x 16, Pc10.9	1
22	AM096	Clip "P"	1
23		Battery, Automotive, 12v, MFU1, 9pl, 240cca	1
24	89073	Strip, Battery	1
25	A163072R	Bracket, Clamp, Battery	1
26	NHM6	Nut, Hex, M 6, Pc5	2
27	A179052	Dash, Console	1
28	A179205	Wheel, Steering	1
29	DP10	Pin, Roll, Spring, 1/4"X1-3/4"	1
30	13125	Switch, Key	1
30.1		Washer, Lock, Int Tooth, 5/8"	1
30.2		Nut, Hex, Pressed, Unf, 5/8"	1
31	A120872Z	Washer, D	1
32	A120870	Bezel, Switch, Key, 5/8"	1
33	A168117	Switch, Pto, Push-Pull	1
34	A102190	Ring, Retainer, Switch, PTO	1
35	96114	Strap, Bonnet	1
36	PR04M4.8	Rivet	1

PARTS LIST - ENGINE ANCILLARY

ITEM	PART NUMBER	DESCRIPTION	QTY
1	A179221	Control, Speed, Engine, B&S, L= 510	1
2	BHSSM5X12	Screw, Button, Hex Soc, M 5 X 12, Pc10.9	2
3	W05MN	Washer, Flat, Bright, M 5x 10x1.0	2
4	NM5NT	Nut, Hex, Nyloc, Thin, M5, Pc6	2
5	W052003	Washer, Flat, Black, 5/16"X1-1/4"X3	3
6	W08MN	Washer, Flat, Bright, M 8x 17x1, 2	2
7	NM8NT	Nut, Hex, Nyloc, Thin, M 8, Pc6	2
8	WS050216	Washer, Lock, Spring, 5/16"X1/8"X1/16"	3
9	A179047Z	Restraint, Clutch/Brake	1
10	BCHSNM8X20	Bolt, Cup, Sq Neck, M8 X 20 Pc4.6	2
11	A163020	Tank, Fuel, 5.5l	1
12	CF01	Cap, Fuel	1
13	AM293	Petrol Tap	1
14	AM294	Grommet, Fuel Tap	1
15		Battery, Automotive, 12v, MFU1, 9pl, 240cca	1
16	STF0618	Screw, Hex Wash, Taptite Ii, 3/8"X1-1/8"	2
17	W06S	Washer, Lock, Int Tooth, 3/8"	2
18		Engine, 15.5hp, 1cyl, Elec, B&S, Blk, 31R707	1
19	A179014	Pulley, Engine	1
20	88026	Key	1
21	A179016	Clutch/Brake, Elec magnet	1
22	W072606	Washer, Flat, 7/16"X1-5/8"X6	1
23	W071416	Washer, Flat, Bright, 7/16"X7/8"X16g	2
24	WS071008	Washer, Lock, Spring, 7/16"X5/32"X1/8 "	1
25	B0748F	Bolt, 7/16" X 3", Unf	1
26	AM078B0	Engine Mount Bolt Plate	1
27	SH0516C	Screw, Hex, Unc, 5/16"X1", Gr5	1
28	W051218	Washer, Flat, Bright, 5/16"X3/4"X18g	2
29	B0524C	Bolt, Hex, Unc, 5/16"X1-1/2", Gr5	2
30	A119129	Fuel Line, 240l	1

GLOSSARY OF CABLE COLOURS

CODE	COLOUR	CODE	COLOUR
BK	BLACK	GN-WT	GREEN-WHITE
BU	BLUE	GY	GREY
BU-RD	BLUE-RED	OG	ORANGE
BN	BROWN	RD	RED
BN-WT	BROWN-WHITE	RD-WT	RED-WHITE



CLUTCH/BRAKE SWITCH ITEM 11

POSITION	NC	NC
NORMAL		
DEPRESSED	○	○

SEAT SWITCH ITEM 14

POSITION	NC	NC
NORMAL		
DEPRESSED	○	○

KEY SWITCH ITEM 9

POSITION	S	L	M	B	G
OFF			○	○	○
ON	○	○			
START	○	○			

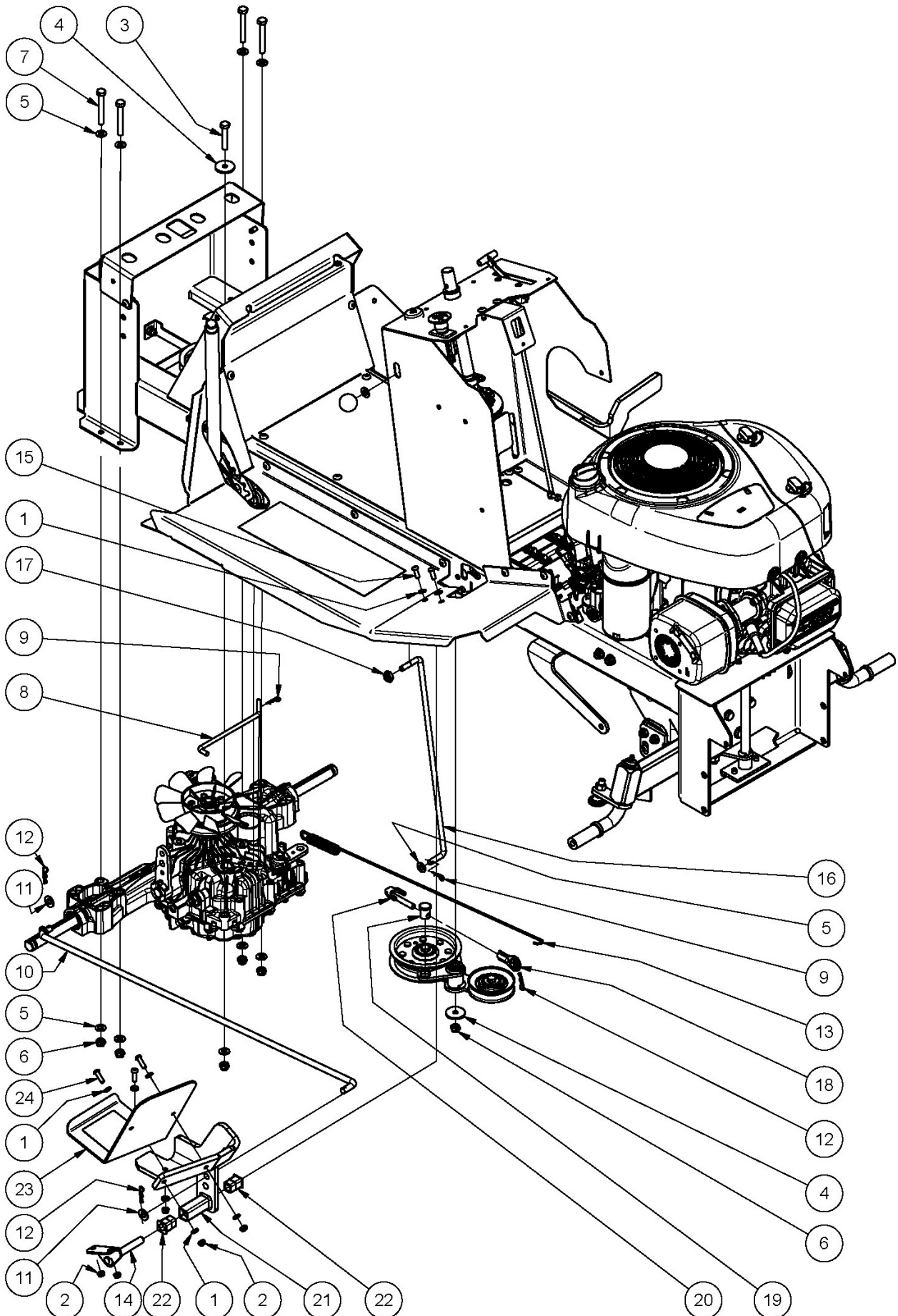
PTO SWITCH ITEM 12

POSITION	COM A	NC	COM B	NC	COM C	NC
DEPRESSED			○	○	○	○
RAISED	○		○		○	

PARTS LIST - WIRING

ITEM	PART NUMBER	DESCRIPTION	QTY
1		Engine, 15.5/17.5 Hp, 1 Cyl, Elec, B&S	1
2		Battery, MFU1, 9pl, 240cca	1
3	15235	Lead, Battery, Black, 3term	1
4	89082	Lead, Battery, Red, L=200	1
5	AM159	Soleniod	1
6	AM265	Lead, Battery, Red, L=490	1
7	A179072	Harness, Wiring, Main	1
8		Fuse, Blade, 15 Amp, Blue	1
9	13125	Switch, Key, 3 Posn, Magneto, 6 Term	1
11	SKIT133	Switch, Plunger, 2 Pole, No+Nc, Snap Mtg incl Cover	1
	CSP2PSM	Cover, Switch, Plunger, 2 Pole, Snap Mtg	1
12	A168117	Switch, Pto, Push-Pull, Nodtdt, Yellow, Vert	1
13	A179016	Clutch/Brake, Elecmag, 25.4xb121, Ccw, Gt1	1
14	AM16512F	Switch, Seat	1
14.1	SP1PNCSM	Switch, Plunger, 1 Pole, Nc, Snap Mtg	1
15	A163081	Optional, Meter, Hour, Magneto-Sensing, 12v, Snap In	1

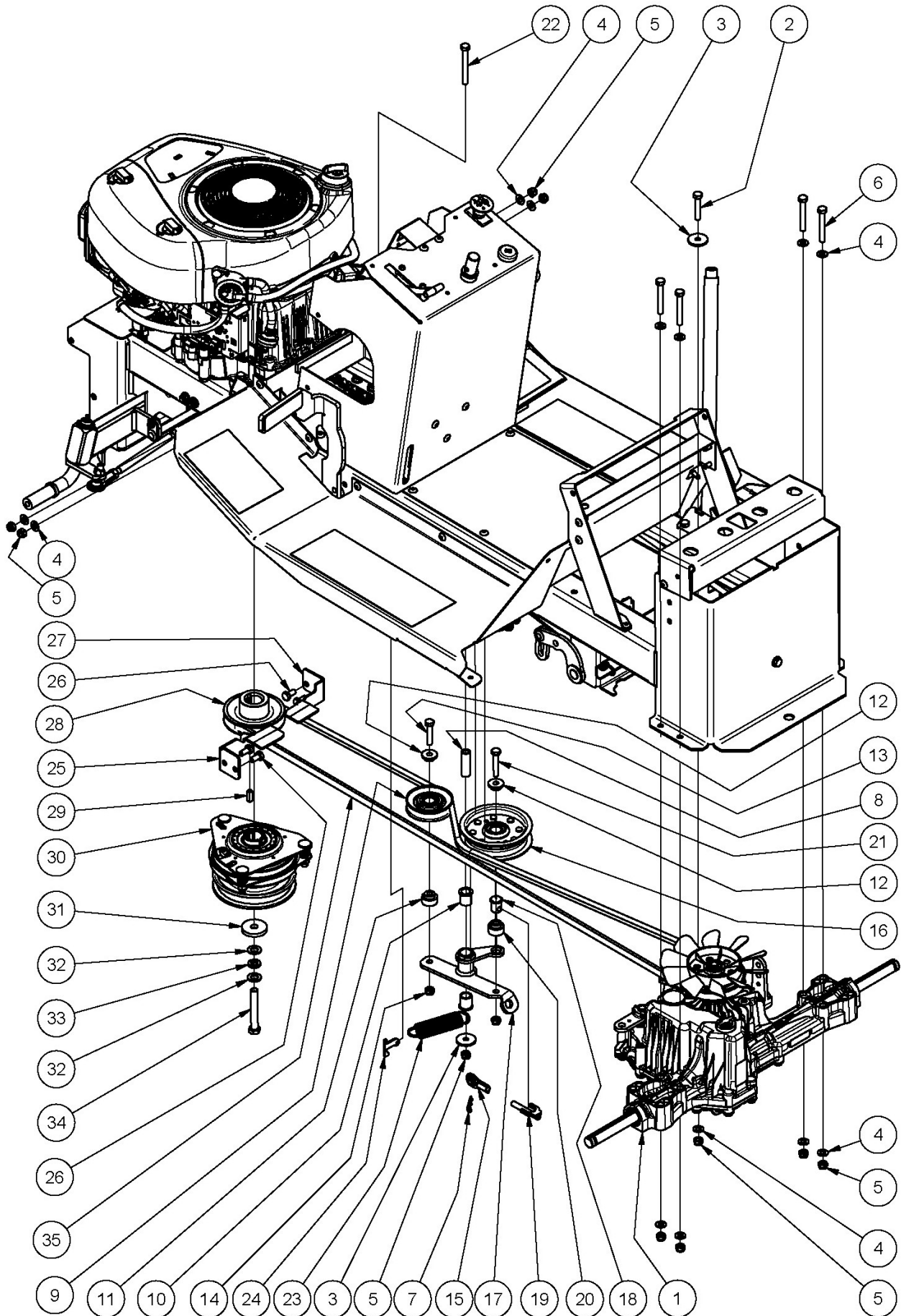
EXPLODED VIEW - DRIVE CONTROLS



PARTS LIST - DRIVE CONTROLS

ITEM	PART NUMBER	DESCRIPTION	QTY
1	W06MN	Washer, Flat, Bright, M 6x 12.5x1.2	8
2	NM6NT	Nut, Hex, Nyloc, Thin, M 6, Pc6	5
3	B0845M	Bolt, Hex, M 8x 45, Pc8.8	1
4	W052003	Washer, Flat, Black, 5/16"X1-1/4"X3	2
5	W08MN	Washer, Flat, Bright, M 8x 17x1, 2	10
6	NM8NT	Nut, Hex, Nyloc, Thin, M 8, Pc6	6
7	B0860M	Bolt, Hex, M 8x 60, Pc8.8	4
8	A169157Z	Link, Disengage, Hydro	1
9	RP04	Pin, 'R', Steel, 1.4x 25	1
10	A179033Z	Link, Drive, Hydro	1
11	W061216	Washer, Flat, Bright, 3/8"X3/4"X16g	2
12	RP01	Pin, 'R'	3
13	A111018	Spring, Extension, Foot Brake	1
14	A179039Z	Pivot, Pedal, Drive	1
15	BHSSM6X16	Screw, Button, Hex Soc, M 6x 16, Pc10.9	2
16	A169183Z	Rod, Brake, Park	1
17	A111050Z	Bush, Pin, Locking	1
18	RE516INT	End, Rod	1
19	A179123Z	Pin, Link	1
20	A179125Z	Link, Adjust, Disengage, Drive	1
21	A182101R	Lever, Pedal, Drive, Red	1
22	AM230	Bush - Plastic	2
23	A182103R	Rest, Foot, Pedal, Drive, Hydro	1
24	BHSSM6X20	Screw, Button, Hex Soc, M 6x 20, Pc10.9	3

EXPLODED VIEW - DRIVE

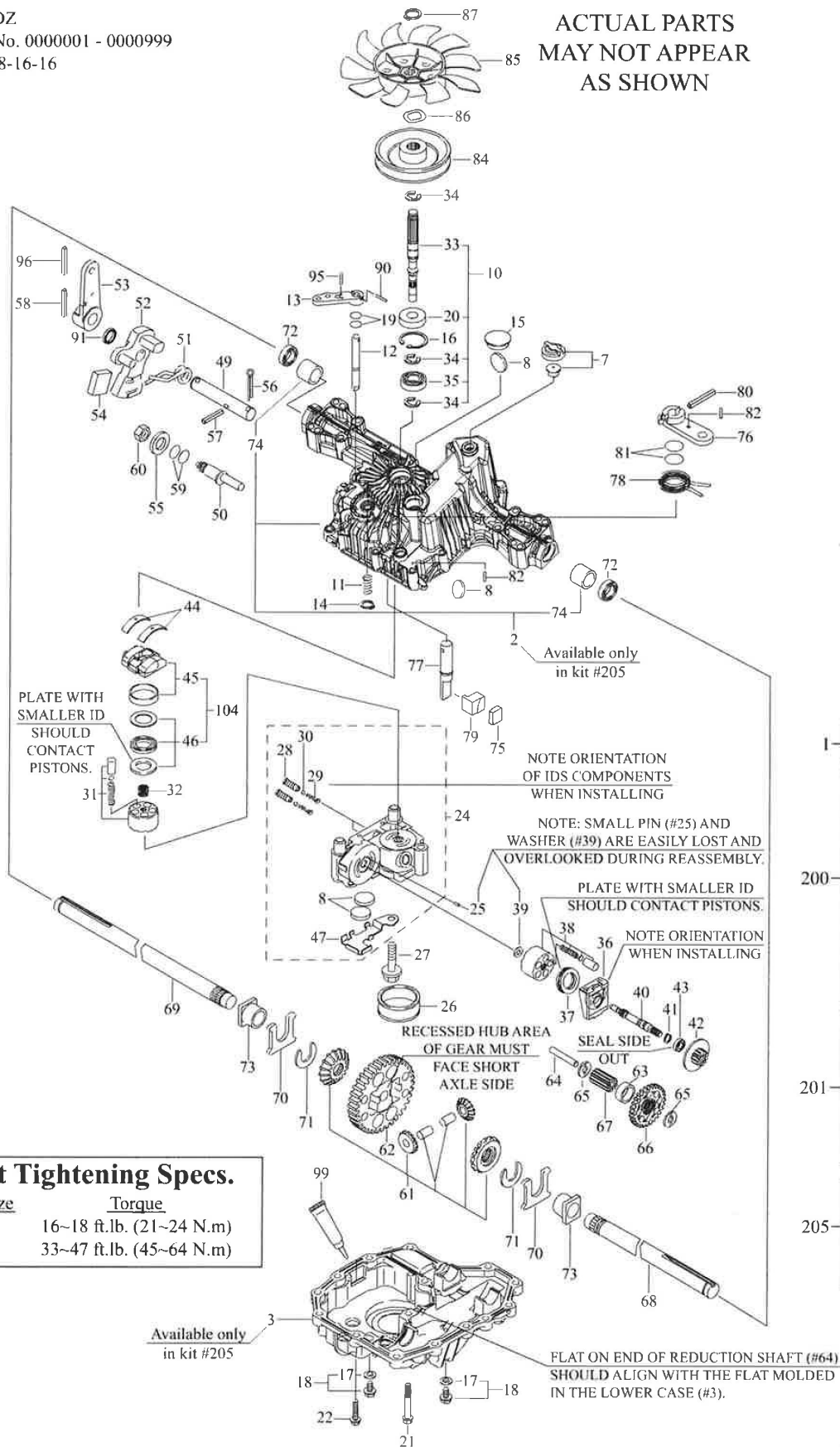


PARTS LIST - DRIVE

ITEM	PART NUMBER	DESCRIPTION	QTY
1	A179012	Transaxle, Hydro, K46DZ	1
2	B0845M	Bolt, Hex, M 8x 45, Pc8.8	1
3	W052003	Washer, Flat, Black, 5/16"X1-1/4"X3	3
4	W08MN	Washer, Flat, Bright, M 8x 17x1, 2	13
5	NM8NT	Nut, Hex, Nyloc, Thin, M 8, Pc6	6
6	B0860M	Bolt, Hex, M 8x 60, Pc8.8	4
7	RP01	Pin, 'R'	2
8	14070	Sleeve, Pivot, Drive Belt Tensioning Arm	1
9	PIVBB02	Idler, V Belt	1
10	A120685	Bush, Pivot, Tensioner	2
11	A102386Z	Boss, Idler, 17dia, 10.5high	1
12	14025	Boss, Idler, 17dia, 3high	2
13	B0840M	Bolt, Hex, M8x40, Pc8	1
14	NM8NT	Nut, Hex, Nyloc, Thin, M 8, Pc6	2
15	RE516INT	End, Rod	1
16	PIFBB02C	Idler, Flat	1
17	A179121Z	Arm, Tensioner, Belt, Drive	1
18	A179123Z	Pin, Link	1
19	A179125Z	Link, Adjust, Disengage, Drive	1
20	A102125Z	Boss, Idler, 7 Dia, 2 High	1
21	B0845M	Bolt, Hex, M 8x 45, Pc8.8	1
22	B0870M	Bolt, Hex, M 8 X 70, Pc8.8	1
23	AM145	Spring, Extension	1
24	A179203Z	Lug, Spring	1
25	A179211Z	Guide, Belt, Drive, Front, Left	1
26	SH0816M	Screw, Hex, M 8x 16, Pc8.8	4
27	A179213Z	Guide, Belt, Drive, Front, Right	1
28	A179014	Pulley, Engine	1
29	88026	Key	1
30	A179016	Clutch/Brake, Elec magnet	1
31	W072606	Washer, Flat, 7/16"X1-5/8"X6	1
32	W071416	Washer, Flat, Bright, 7/16"X7/8"X16g	2
33	WS071008	Washer, Lock, Spring, 7/16"X5/32"X1/8"	1
34	B0748F	Bolt, 7/16" X 3", Unf	1
35	V75	Belt, V	1

K46DZ
 Ser. No. 0000001 - 0000999
 Rev. 8-16-16

ACTUAL PARTS
 MAY NOT APPEAR
 AS SHOWN



Bolt Tightening Specs.

Bolt Size	Torque
M8	16~18 ft.lb. (21~24 N.m)
M10	33~47 ft.lb. (45~64 N.m)

- 1 - K46DZ Transmission
- 200 - K46DZ Seal Kit

Kit Includes	
#7	(2) #59
#15	(2) #72
(2) #19	(2) #81
#20	#91
#26	#99
#30	

All parts may not be used.
- 201 - K46DZ Repair Kit

Kit Includes	
#24	#38
#31	
#200 - Seal Kit	

All parts may not be used.
- 205 - K46DZ Case Kit

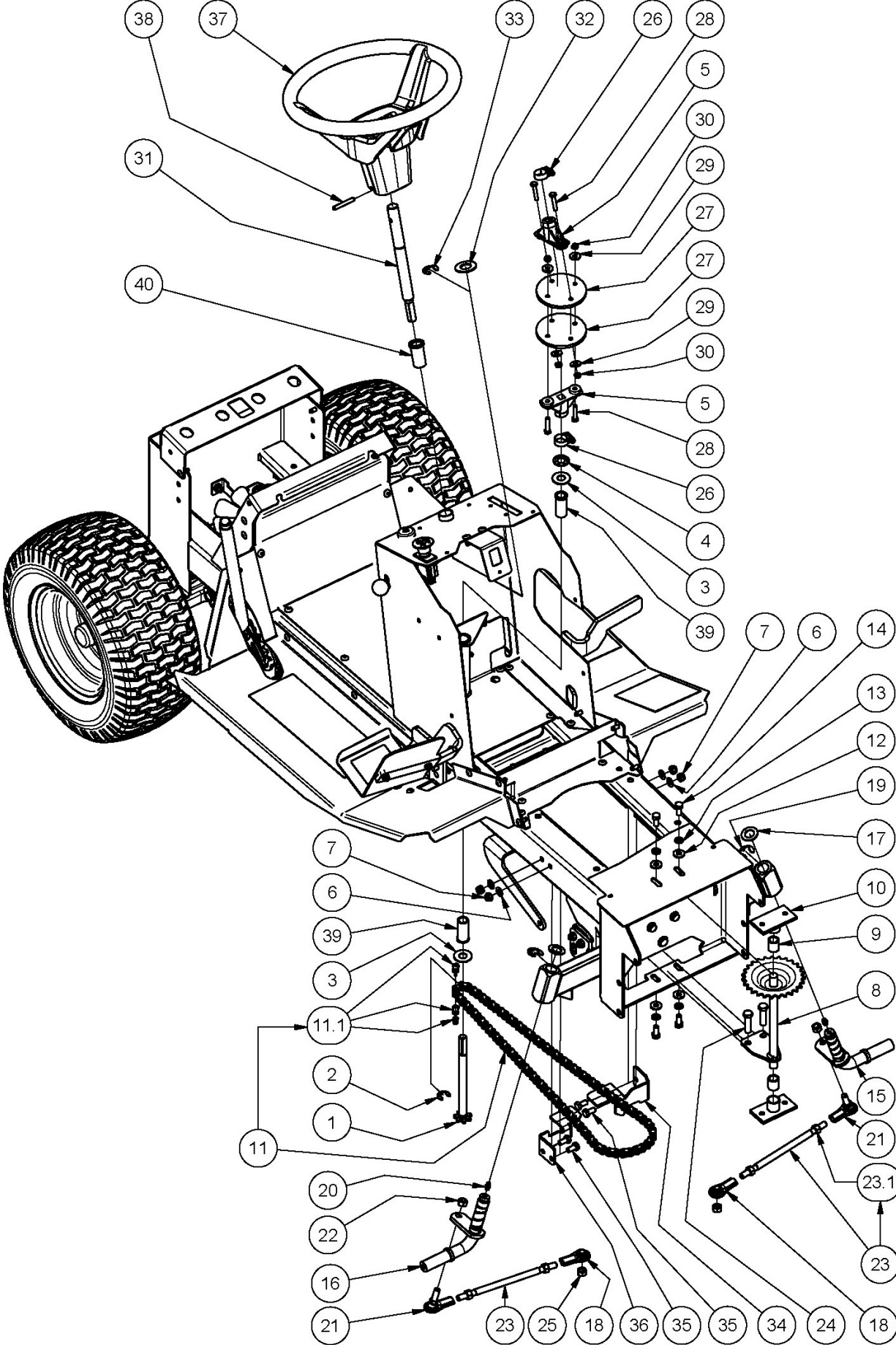
Kit Includes	
#2	#3

Cases must be replaced as a set.

PARTS LIST - TRANSAXLE - TUFF TORQ

1		K46dz Transaxle	60	26776120002	Nut 12
7	168T2024250	Vent Valve	61	1A646031570	Diff Gear Kit
8	19216324360	Magnet 28 * 3.5	62	1A646033540	Final Pinion Gear (10t)
10	168T2099250	Pump Shaft/Bearing Kit	63	1A646033250	Final Pinion Collar
11	19215427281	Spring 25	64	1A646033410	Reduction Shaft
12	1A646089510	Bypass Shaft B	65	19216833420	Washer 12 * 32 * 3.2
13	1A632029520	Bypass Lever	66	1A646083450	Reduction Gear (31t)
14	22242000100	Ring,10	67	1A646033531	Final Pinion Gear (10t)
15	187T0136300	Sealing Cap, Steel	68	1A646089430	Axle Shaft, Left
16	22252000350	Snap Ring C 35	69	1A646089440	Axle Shaft, Right
18	187Q0399940	Drain Bolt Kit	70	19216334261	Thrust Washer
19	24311240100	O-Ring 1a P10a	71	19216834270	Ring 17
20	187T0134380	Seal 153507	72	187T0134280	Axle Seal
21	26476080552	Tapping Screw 8 * 55	73	19216834350	Bushing 19 * 25
22	26476080302	Tapping Screw 8 * 30	74	168T2034240	Bushing 19.05
24	187T0199070	Center Case Kit	75	1A646036121	Brake Shoe
25	19216824760	Pin 3 * 9.8	76	1A646036160	Brake Lever
26	168T2025220	Filter 105	77	1A646036171	Brake Shaft
27	168T2099990	Bolt 10*75	78	168T2036180	Brake Return Spring
28	1A646024800	Ids Valve 1.2	79	1A646036200	Brake Actuator
29	1A646024761	Ids Spring	80	22351050032	Spring Pin 5 * 32
30	1A646024790	Ids Filter 300	81	24311000120	O-Ring 1a P12
31	168T2025090	Cylinder Block Kit	82	22351040016	Spring Pin 4 * 16
32	1A646025200	Spring	84	1A646025770	Pulley C
33	168T2025250	Pump Shaft	85	1A646083070	Fan, Black
34	22272000120	E-Ring	86	1A646083060	Wave Washer
35	1A646034770	Bearing	87	19215489090	Snap Ring
36	19216824210	Motor Housing	90	22351030020	Spring Pin 3.0a * 20
37	187T0034750	Thrust Bearing	91	1A646024440	Oil Seal 16 * 22 * .03
38	168T2025080	Cylinder Block Kit(Motor	95	22351030016	Spring Pin 3.0a * 16
39	19216825230	Washer 12 * 24 * 1	96	22351035040	Roll Pin 3.5 * 40
40	1A646025271	Motor Shaft	99	1A646099500	Sealant
41	19215425310	Snap Ring S15	104	168T2099650	Swash Plate Kit
42	1A646085400	Brake Disc/Motor Gear (12t)	200	1A646099141	Seal Kit
43	1A646034760	6202 Bearing	201	1A646099461	Repair Kit
44	187T0027060	Thrust Bushing	205	1A646098110	Housing Kit
47	1A646029010	Magnet Holder			
49	1A646029911	Control Shaft			
50	168T2029920	Fulcrum			
51	168T2029800	Torsion Spring			
52	168T2029740	Control Arm A			
53	1A646029400	Control Lever F			
54	168T2029360	Jerky Plate			
55	22137120000	Washer 12			
56	1A646029940	Cotter Pin 1/8" * 3/4"			
57	22351060036	Spring Pin 6 * 36			
58	22351060040	Roll Pin 6 * 40			
59	24311000140	O-Ring 1a P14			

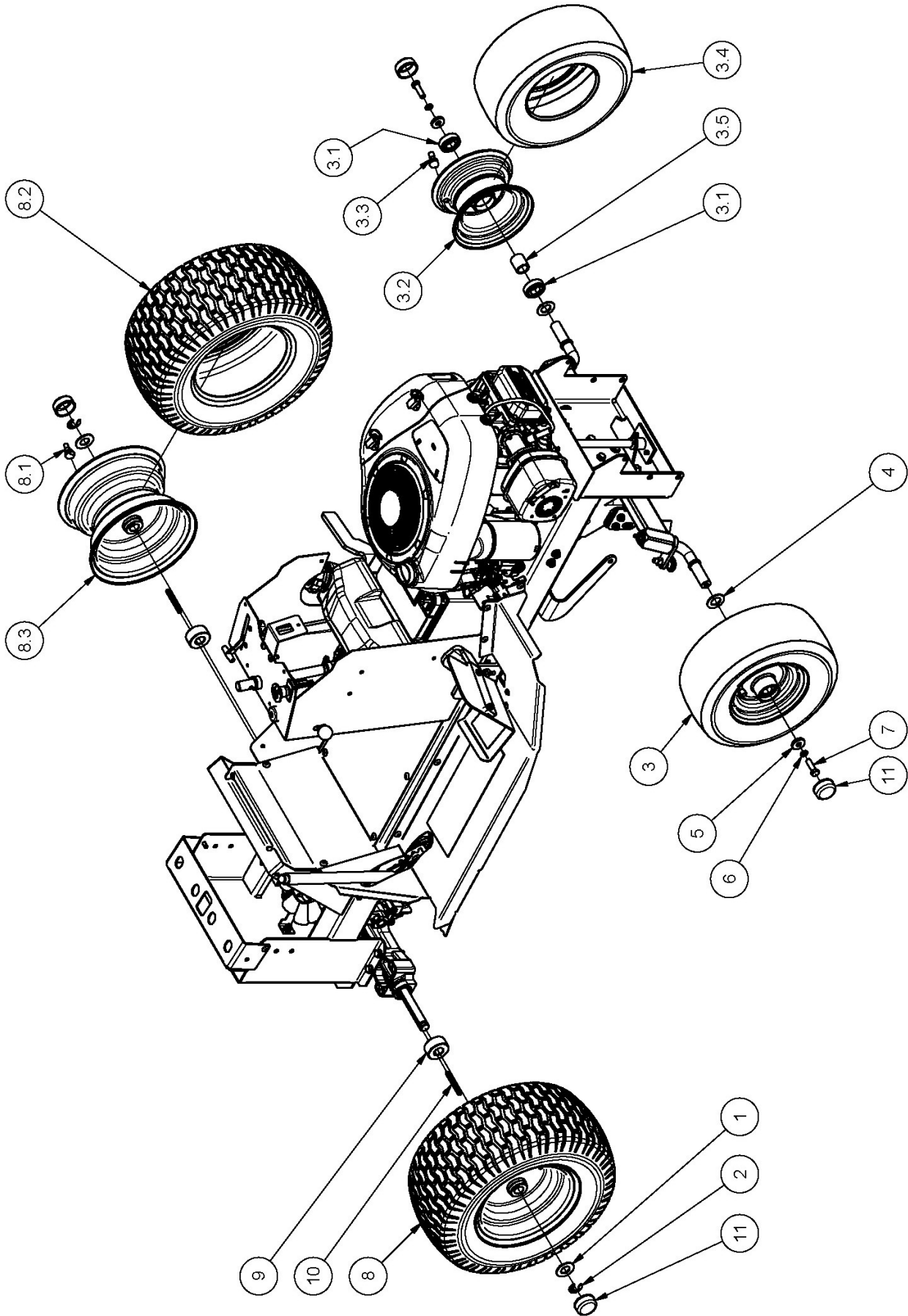
EXPLODED VIEW- STEERING



PARTS LIST - STEERING

ITEM	PART NUMBER	DESCRIPTION	QTY
1	A163028Z	Shaft, Steering, Lower	1
2	C05	Circlip, Ext, "E"Type	3
3	W092016	Washer, Flat, Bright, 9/16" X 1+1/4" X 16g	2
4	89100	Fastener, Push On	1
5	89097	Steering Shaft Yoke	2
6	W08MN	Washer, Flat, Bright, M 8x 17x1, 2	4
7	NM8NT	Nut, Hex, Nyloc, Thin, M 8, Pc6	4
8	A179025Z	Idler, Steering	1
9	AM215	Idler Bush	2
10	AM255	Steering Idler Shaft Mtg Brkt	2
11	A179027	Chain, Roller, Trans, Inc Con Link	1
11.1	A163027	Link, Con, Chain	1
12	W05M202	Washer, Flat, Bright, 5/16"X3/4"X14g	4
13	WS050216	Washer, Lock, Spring, 5/16"X1/8"X1/16"	4
14	SH0512C	Screw, Hex, Unc, 5/16"X3/4", Gr5	4
15	13203	Axle, Stub, Left	1
16	13204	Axle, Stub, Right	1
17	AM336	Washer, Sealing, Shaft	2
18	AM337	End, Rod	2
19	C02	Circlip, Ext, 'E' Type	2
20	GNTF3	Nipple, Grease, Straight	2
21	RE38INTSTUD	End, Rod	2
22	N06FC	Nut, Hex, Conelok, Unf, 3/8", Gr5	2
23	A179083Z	Rod, Tie, Inc Nuts	2
23.1	N06F	Nut, Hex, Unf, 3/8", Gr5	2
24	B0624F	Bolt, Hex, Unf, 3/8"X1- 1/2", Gr5	2
25	N06FC	Nut, Hex, Conelok, Unf, 3/8", Gr5	2
26	CH06	Clamp, Hose	2
27	AM25399J	Disc, Universal Joint	1
28	B0630M	Bolt, Hex, M6x30, Gr 8.8	4
29	W041216	Washer, Flat, Bright, 1/4"X3/4"X16g	4
30	NHCM6	Nut, Hex, Conelok, M 6, Pc8	4
31	A179029Z	Shaft, Steering, Upper	1
32	W122414	Washer, Flat, Bright, 3/4"X1-1/2"X 14G	1
33	C02	Circlip, Ext, 'E' Type	1
34	A179211Z	Guide, Belt, Drive, Front, Left	1
35	SH0816M	Screw, Hex, M 8x 16, Pc8.8	4
36	A179213Z	Guide, Belt, Drive, Front, Right	1
37	A179205	Wheel, Steering	1
38	DP10	Pin, Roll, Spring, 1/4"X1-3/4"	1
39	AM017C1	Steering Shaft Bush With Collar	2
40	13012	Bush, Flanged, Nylon	1

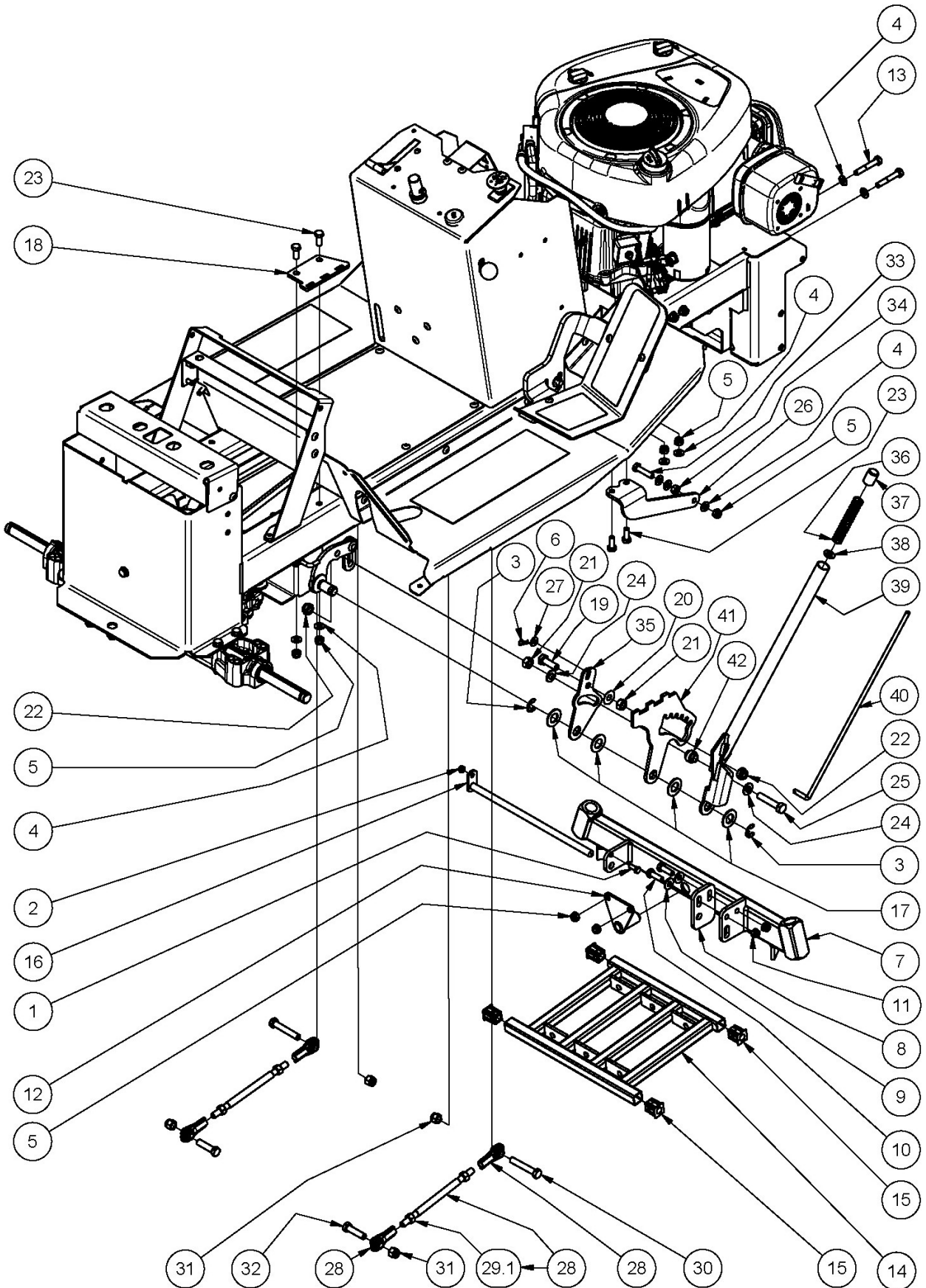
EXPLODED VIEW - WHEELS



PARTS LIST - WHEELS

ITEM	PART NUMBER	DESCRIPTION	QTY
1	W122414	Washer, Flat, Bright, 3/4"X1-1/2"X 14g	2
2	C02	Circlip, Ext, 'E' Type	2
3	A139032	Wheel, 13x500	2
3.1	BB204212N	Bearing, Ball	2
3.2		Rim	1
3.3		Valve, Tubeless, Snap-In, Tr412, C1 Core+Vc3 Cap	1
3.4	TT13x 500-6SS	Tyre, Tubeless, 13x 5.00- 6, 4ply, Turf Tread	1
	STU13X500-6SS	Tube (Optional)	
3.5	AM021	Sleeve, Spacer, Bearing, L=30	1
4	W20MN	Washer, Flat, Bright, M20x 37x2.0	2
5	W102705	Washer, Flat, Black, 10.5x27x5	2
6	WS06081.5	Washer, Lock, Spring, 3/8"X1/8"X3/32"	2
7	SH0620F	Screw, Hex, Unf, 3/8"X1-1/4", Gr5	2
8	A116139	Wheel, 16x650-8	2
8.1		Valve, Tubeless, Snap-In, Tr412, Inc Core & Cap	1
8.2	TT16X 650-8SS	Tyre, 16x650-8, 4ply, Tubeless	1
	STU16X650-8SS	Tube (Optional)	
8.3		Rim	1
9	A179217Z	Sleeve, Thrust, Wheel	2
10	14126	Key	2
11	A116060	Cap, Hub	4

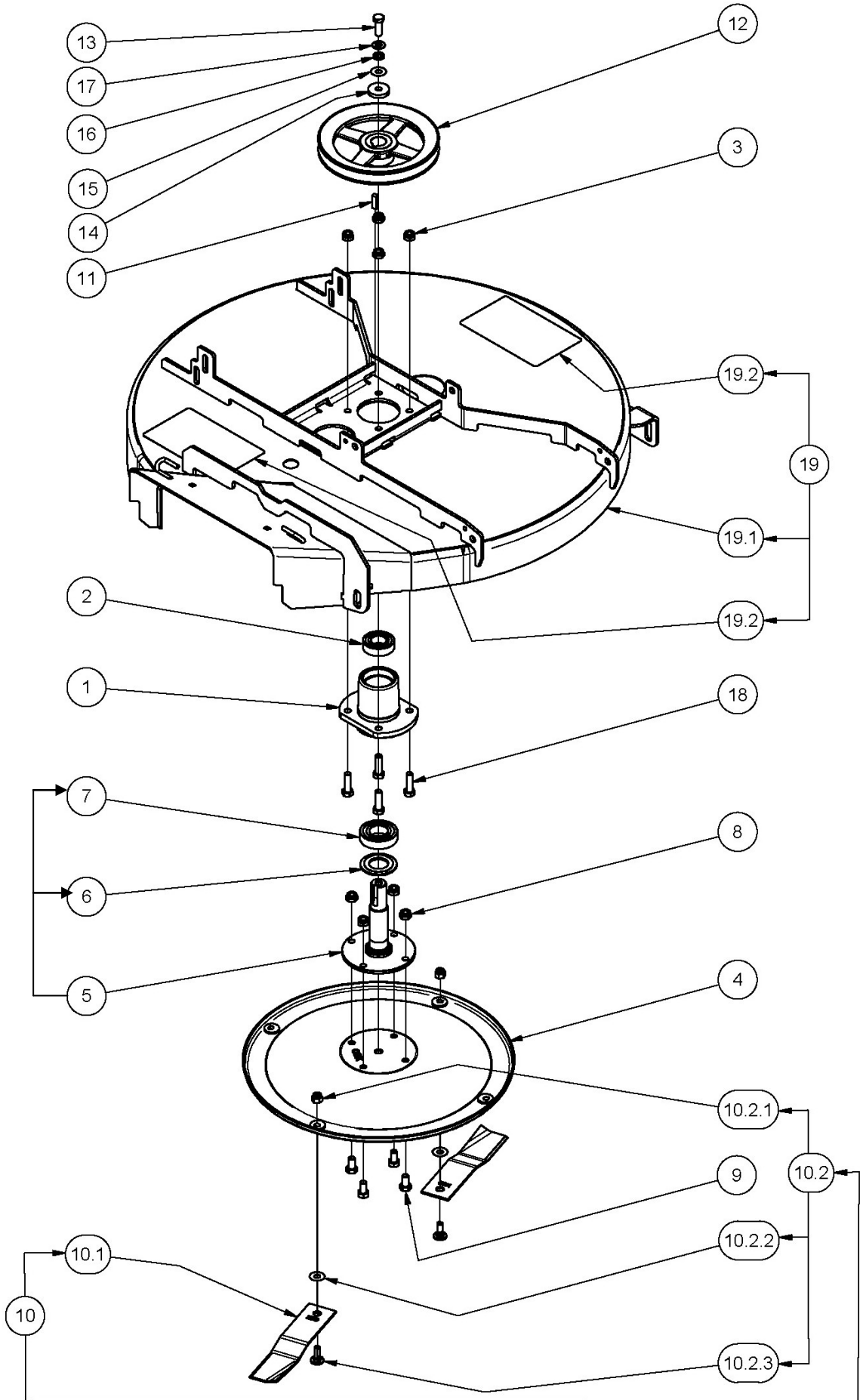
EXPLODED VIEW - MOWER SUSPENSION



PARTS LIST - MOWER SUSPENSION

ITEM	PART NUMBER	DESCRIPTION	QTY
1	SH0616M	Screw, Hex, M 6x 16, Pc4.6	1
2	NM6NT	Nut, Hex, Nyloc, Thin, M 6, Pc6	1
3	C05	Circlip, Ext, "E"Type	2
4	W08MN	Washer, Flat, Bright, M 8x 17x1, 2	9
5	NM8NT	Nut, Hex, Nyloc, Thin, M 8, Pc6	7
6	RP04	Pin, 'R'	1
7	A179081Z	Beam, Axle, Front	1
8	A168103Z	Adjuster, Cut, Transverse	1
9	W05M202	Washer, Flat, Bright, 5/16"X3/4"X14g	2
10	SH0825M	Screw, Hex, M 8x 25, Pc8.8	2
11	NM8NT	Nut, Hex, Nyloc, Thin, M 8, Pc6	2
12	A179035Z	Pin, Pivot, Axle, Front	1
13	B0850M	Bolt, Hex, M 8x 50, Pc8.8	2
14	A168106Z	Link, Drag, Attachment, Mowing	1
15	AM369	Bush	4
16	A168118Z	Pin	1
17	W102015	Washer, Flat, Bright, 5/8"X1+1/4"X15g	4
18	A179045Z	Restraint, Rack	1
19	SH1030M10.9	Screw, Hex, M10x 30, Pc10.9	1
20	WW0616	Washer, Wave, 3/8"X1"	1
21	NHM10	Nut, Hex, M10, Pc8	2
22	NM10NT	Nut, Hex, Nyloc, Thin, M10, Pc6	2
23	SH0820M	Screw, Hex, M 8x 20, Pc8.8	4
24	W10MN	Washer, Flat, Bright, M10x 21x1.6	2
25	B1050M	Bolt, Hex, M10x 50, Pc8.8	1
26	A179201R	Bracket, Attach, Frame, Cradle	1
27	W041018	Washer, Flat, Bright, 1/4"X5/8"X18g	1
28	AM337	End, Rod	4
29	A126036Z	Rod, Tie, Inc Nuts	2
29.1	N06F	Nut, Hex, Unf, 3/8", Gr5	2
30	B0636C	Bolt, Hex, Unc, 3/8"X2-1/4", Gr5	2
31	NF06CN	Nut, Hex, Nyloc, Thick, Unc, 3/8, Gr5	4
32	B0624C	Bolt, 3/8" X 1 1/2" Unc	2
33	B0835M	Bolt, Hex, M8 X 35, Pc8.8	1
34	NHM8	Nut, Hex, M8	1
35	A182041Z	Lever, Adjust, Height, Cut, Inner	1
36	AM012	Height Adjustment Pawl Push Rod Spring	1
37	AM013Q2	Height Adjustment Pawl Push Rod Button	1
38	W061216	Washer, Flat, Bright, 3/8"X3/4"X16g	1
39	A182111Z	Lever, Adjust, Height, Cut, Outer	1
40	A182113Z	Rod, Adjust, Height, Cut	1
41	A182043Z	Rack, Adjust, Height, Cut	1
42	A182115Z	Bush, Spacer, Adjust, Height, Cut	1

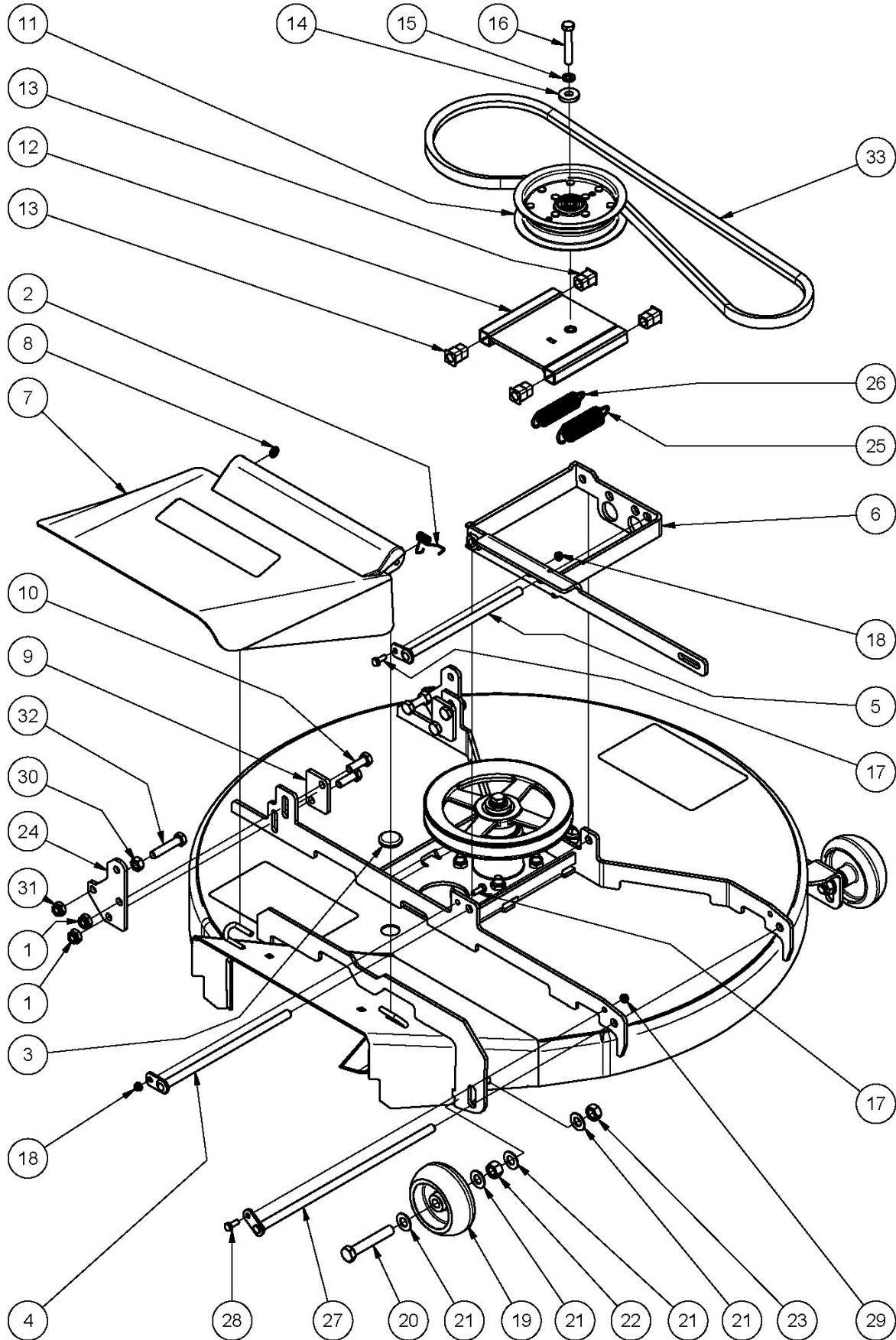
EXPLODED VIEW - CA18016G 32" CUTTER COMPONENTS



PARTS LIST - 32" CUTTER COMPONENTS

ITEM	PART NUMBER	DESCRIPTION	QTY
1	A180003B	Housing, Bearing	1
2	BB255215NN	Bearing, Ball	1
3	NM10NT	Nut, Hex, Nyloc, Thin, M10, Pc6	8
4	AM07604A	Disc, Cutter	1
5	A180025	Sub-Assy, Spindle	1
5.1		Spindle	1
6	A180013Z	Shield, Bearing	1
7	BB306216NN	Bearing, Ball	1
8	NM10NT	Nut, Hex, Nyloc, Thin, M10, Pc6	4
9	SH1020M	Screw, Hex, M10 X 20, Pc8.8	4
10	SKIT54N	Pair, Blade+Bolt+Washer+Nut, Standard, 198	1
10.1		Blade, Mower, Swingback, Standard, 198	2
10.2	SKIT01D1	Blade Bolt & Nut Set	1
10.2.1		Nut, Hex, Nyloc, Thick, Unc, 3/8, Gr5	2
10.2.2		Washer, Wave, 3/8"X1"	2
10.2.3		Blade Bolt Grade 8	2
11	A156017	Key	1
12	A180007	Pulley, Cutter	1
13	SH1030M10.9	Screw, Hex, M10x 30, Pc10.9	5
14	W103506	Washer, Flat, Black, 10x35x6	1
15	WW0616	Washer, Wave, 3/8"X1"	1
16	WSM10X3.66X2.69	Washer, Lock, Spring, M10x3.66x2.69	1
17	W10MN	Washer, Flat, Bright, M10x 21x1.6	1
18	SH1035M	Screw, Hex, M10 X 35	4
19	KIT263	Kit, Deck, Cutter, 805(32")	1
19.1		Deck, Mower, Side, 805(32")	1
20	DEC116	Decal, Danger, Mowing Attachment	2
OPTIONAL	CA183	32" Mulch Kit	

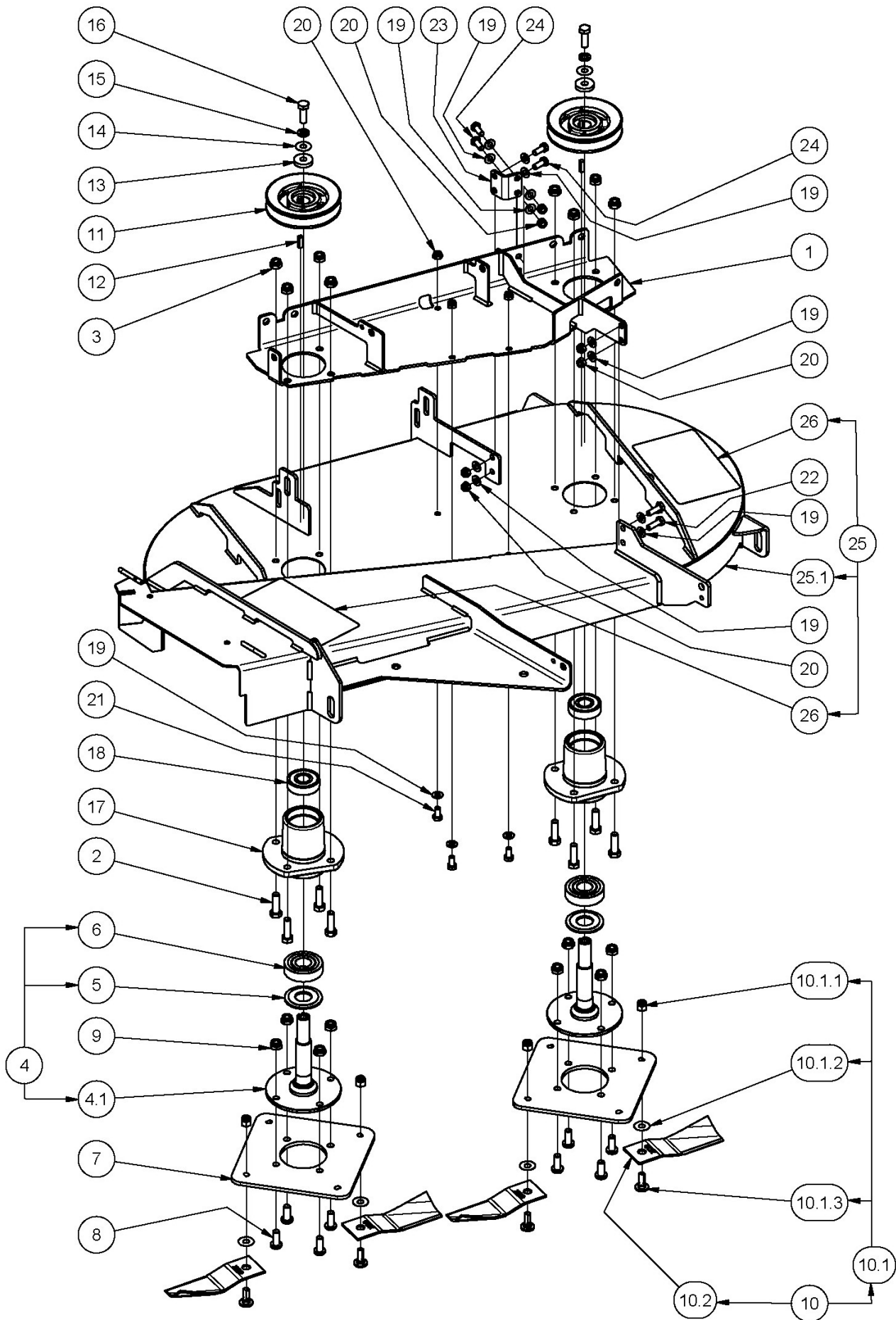
EXPLODED VIEW - CA18016G 32" CUTTER ANCILLARY COMPONENTS



PARTS LIST - 32" CUTTER ANCILLARY COMPONENTS

ITEM	PART NUMBER	DESCRIPTION	QTY
1	NM10NT	Nut, Hex, Nyloc, Thin, M10, Pc6	4
2	A100003	Spring, Torsion, Deflector	1
3	A121512	Grommet, Blanking	1
4	A170013Z	Pin, 11.1dia, L=240	1
5	A170015Z	Pin, 11.1dia, L=215	1
6	A180009Z	Frame, Cradle, Idler	1
7	AM259	Deflector, Cox Logo	1
8	AM274	Fastener, Pushon	1
9	A180019Z	Clamp, Mount, Suspension, Rear	2
10	SH1030M10.9	Screw, Hex, M10x 30, Pc10.9	4
11	PIFBB06	Idler, Flat	1
12	A180011Z	Frame, Slide, Idler	1
13	AM230	Bush - Plastic	4
14	W102705	Washer, Flat, Black, 10.5x27x5	1
15	WS06081.5	Washer, Lock, Spring, 3/8"X1/8x3/32"	1
16	B0636C	Bolt, Hex, Unc, 3/8"X2-1/4", Gr5	1
17	SH0616M	Screw, Hex, M 6x 16, Pc4.6	2
18	NM6NT	Nut, Hex, Nyloc, Thin, M 6, Pc6	2
19	A180062	Wheel, 4"	2
20	B0848F	Bolt, Hex, Unf, 1/2"X 3", Gr5	2
21	W081616	Washer, Flat, Bright, 1/2"X1"X16g	8
22	N08F	Nut, Hex, Unf, 1/2", Gr5	2
23	N08FC	Nut, Hex, Conelock, Unf, 1/2", Gr5	2
24	A180017Z16J	Mount, Suspension, Rear	2
25	A170028	Spring, Extension, Cutter Belt, Big, Short	1
26	AM264	Spring, Extension, Cutter Belt, Short	1
27	13016	Pin, 11.1 Dia X 327l	1
28	SH0616M	Screw, Hex, M 6x 16, Pc4.6	1
29	NM6NT	Nut, Hex, Nyloc, Thin, M 6, Pc6	1
30	NHM10	Nut, Hex, M10, Pc8	2
31	NM10NT	Nut, Hex, Nyloc, Thin, M10, Pc6	2
32	B1050M	Bolt, Hex, M10x 50, Pc8.8	2
33	V76	Belt, V	1

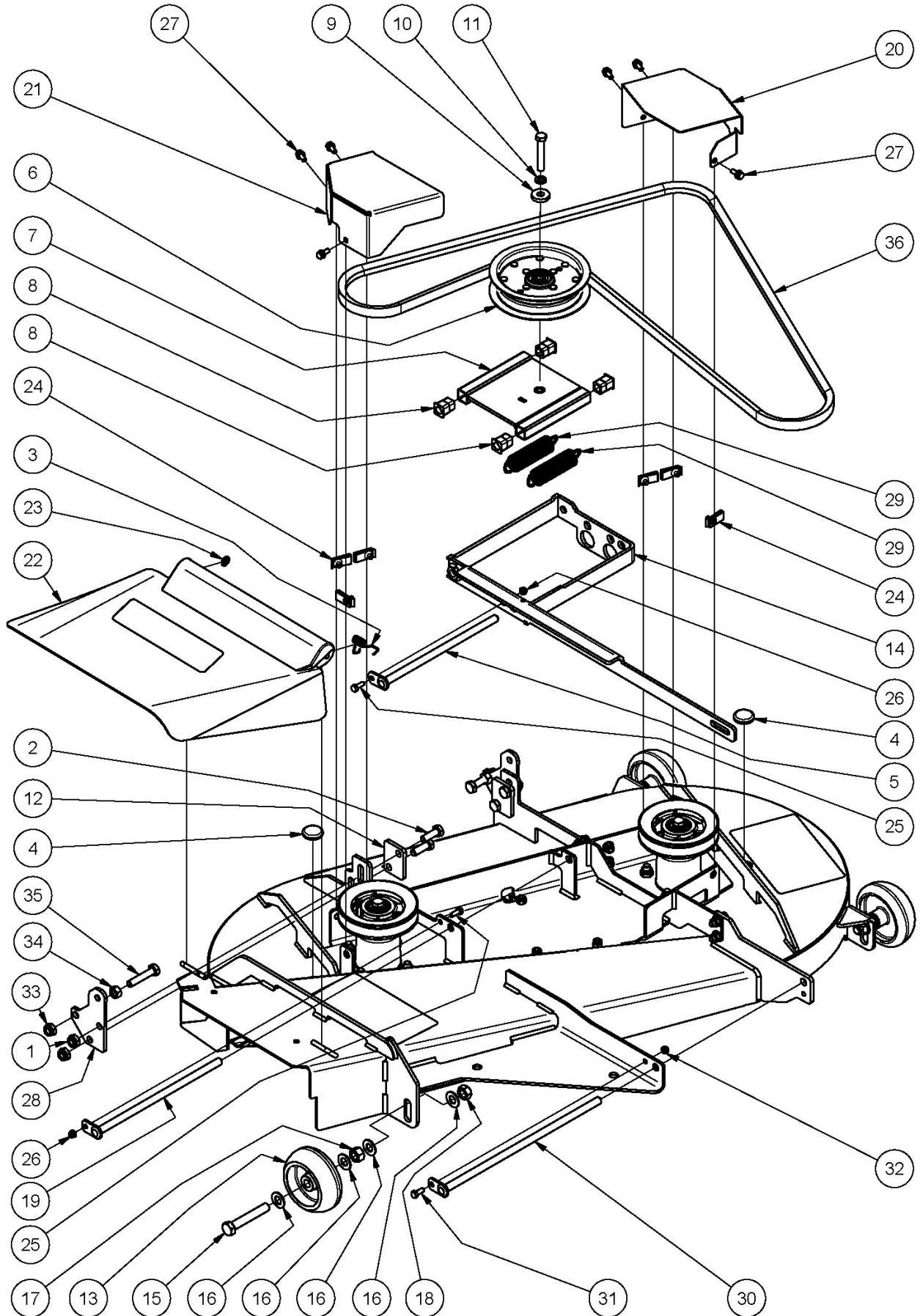
EXPLODED VIEW - CA18116G 38" CUTTER COMPONENTS



PARTS LIST - 38" CUTTER COMPONENTS

ITEM	PART NUMBER	DESCRIPTION	QTY
1	A181023R	Frame, Reinforce	1
2	SH1035M	Screw, Hex, M10 X 35	8
3	NM10NT	Nut, Hex, Nyloc, Thin, M10, Pc6	8
4	A181030	Sub-Assy, Spindle	2
4.1		Spindle	1
5	A181013Z	Shield, Bearing	1
6	BB256217N	Bearing, Ball	1
7	A152013R	Disc, Cutter	2
8	BHSSM10X25	Screw, Button, Hex Soc, M10x 25, Pc10.9	8
9	NM10NT	Nut, Hex, Nyloc, Thin, M10, Pc6	8
10	SKIT41N	Pair, Blade+Bolt+Washer+Nut, Airflow, 137	2
10.1	SKIT01D1	Blade Bolt & Nut Set	1
10.1.1		Nut, Hex, Nyloc, Thick, Unc, 3/8, Gr5	2
10.1.2		Washer, Wave, 3/8"X1"	2
10.1.3		Blade Bolt Grade 8	2
10.2		Blade, Mower, Swingback, Airflow, 137	2
11	A181007	Pulley, Cutter	2
12	A100025	Key	2
13	13247	Washer, Flat, Black, 10.5x30x6	2
14	WW0616	Washer, Wave, 3/8"X1"	2
15	WSM10X3.66X2.69	Washer, Lock, Spring, M10x3.66x2.69	2
16	SH1030M10.9	Screw, Hex, M10x 30, Pc10.9	2
17	A180003B	Housing, Bearing	2
18	BB205215NS	Bearing, Ball	2
19	W08MN	Washer, Flat, Bright, M 8x 17x1, 2	15
20	NM8NT	Nut, Hex, Nyloc, Thin, M 8, Pc6	9
21	SH0816M	Screw, Hex, M 8x 16, Pc8.8	3
22	SH0825M	Screw, Hex, M 8x 25, Pc8.8	2
23	A181017R	Bracket, Frame, Reinforce	1
24	SH0820M	Screw, Hex, M 8x 20, Pc8.8	4
25	KIT264	Kit, Deck, Cutter, 955(38")	1
25.1		Deck, Mower, Side, 960(38")	1
26	DEC116	Decal, Danger, Mowing Attachment	2
OPTIONAL	CA167	38" Mulch Kit	

EXPLODED VIEW - CA18116G 38" CUTTER COMPONENTS



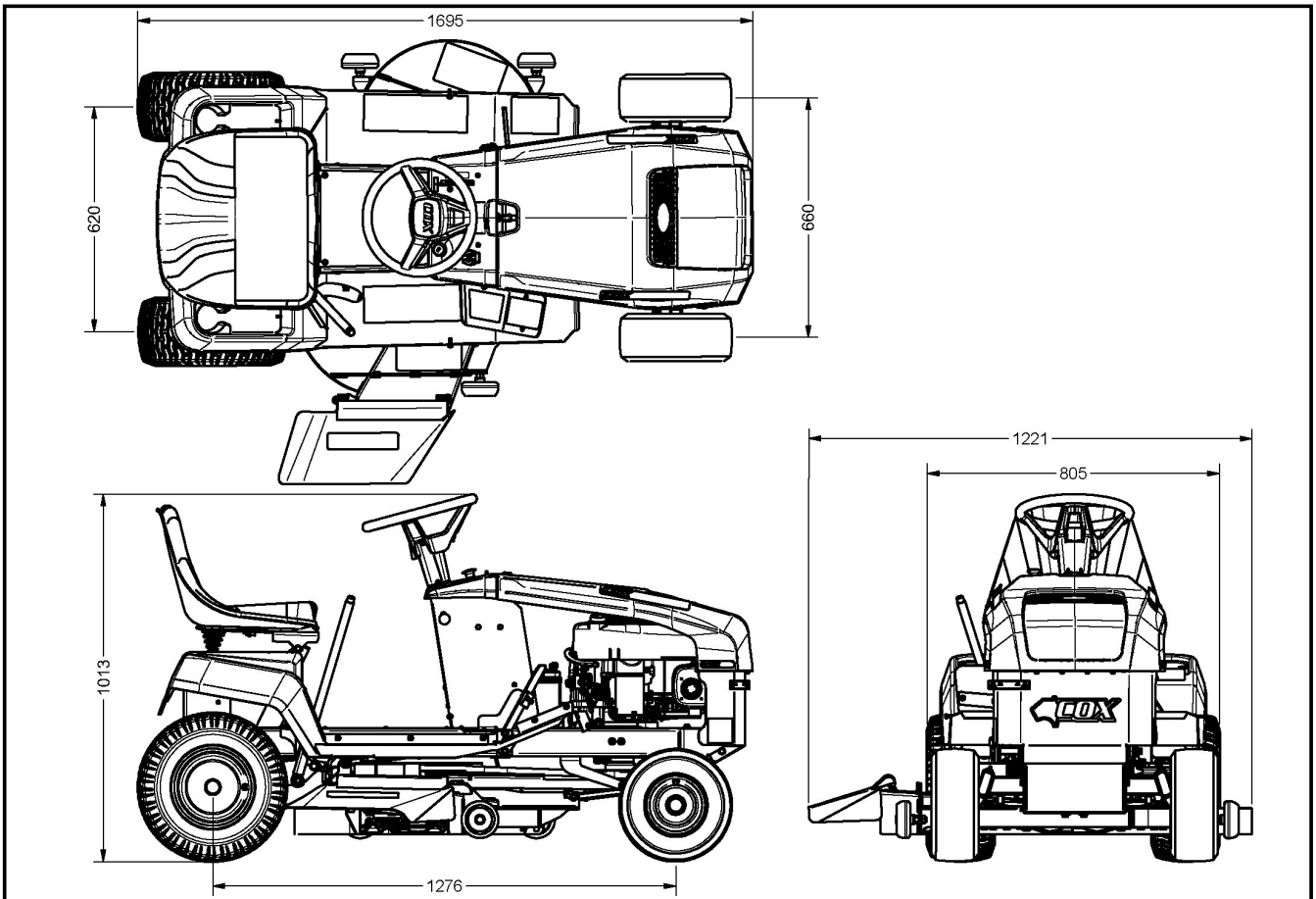
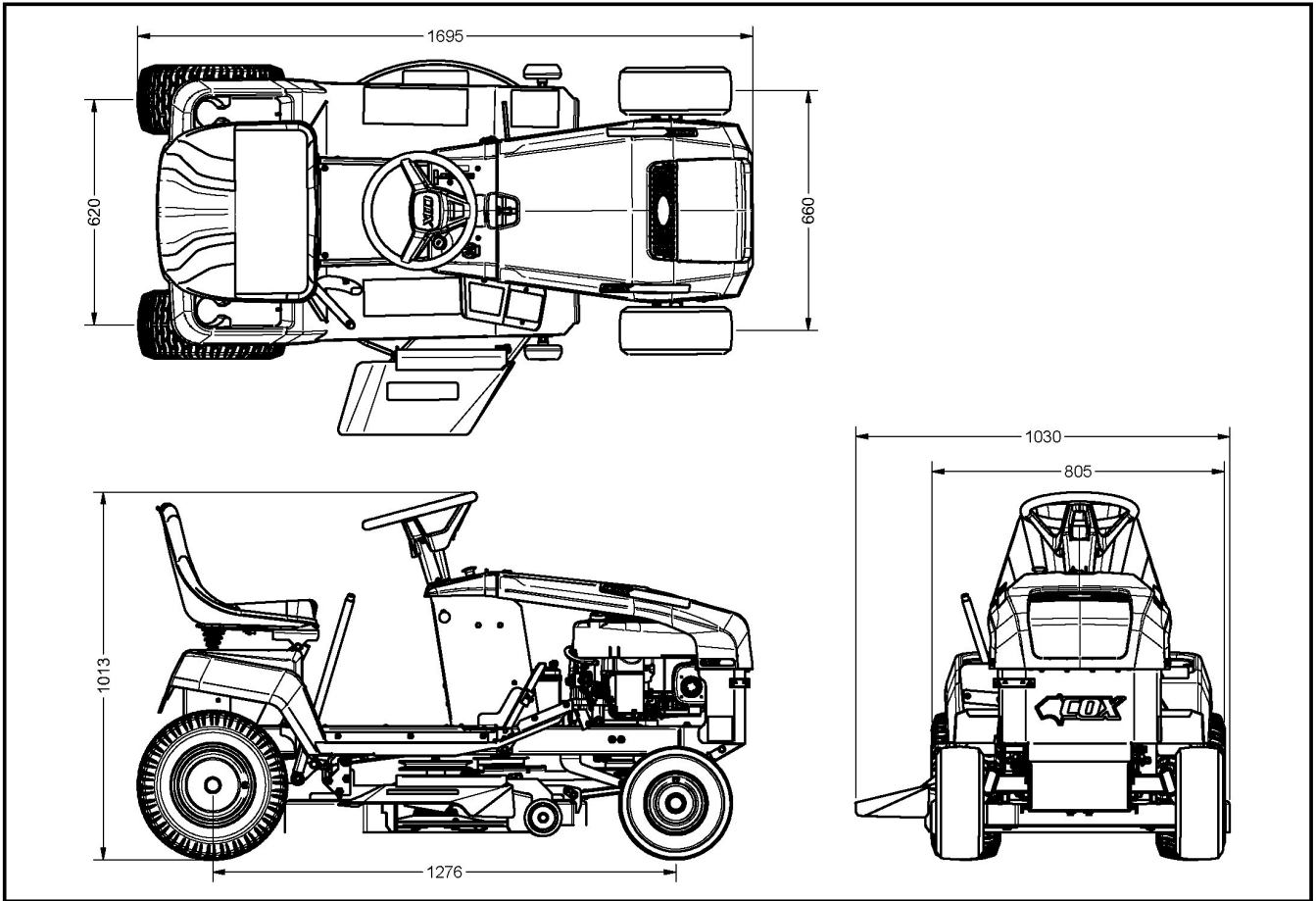
PARTS LIST - 38" CUTTER ANCILLARY COMPONENTS

ITEM	PART NUMBER	DESCRIPTION	QTY
1	NM10NT	Nut, Hex, Nyloc, Thin, M10, Pc6	4
2	SH1030M10.9	Screw, Hex, M10x 30, Pc10.9	4
3	A100003	Spring, Torsion, Deflector	1
4	A121512	Grommet, Blanking	2
5	A170013Z	Pin, 11.1dia, L=240	1
6	PIFBB06	Idler, Flat	1
7	A180011Z	Frame, Slide, Idler	1
8	AM230	Bush - Plastic	4
9	W102705	Washer, Flat, Black, 10.5x27x5	1
10	WS06081.5	Washer, Lock, Spring, 3/8"X1/8x3/32"	1
11	B0636C	Bolt, Hex, Unc, 3/8"X2-1/4", Gr5	1
12	A180019Z	Clamp, Mount, Suspension, Rear	2
13	A180062	Wheel, 4"	3
14	A181009Z	Frame, Cradle, Idler	1
15	B0848F	Bolt, Hex, Unf, 1/2"X 3", Gr5	3
16	W081616	Washer, Flat, Bright, 1/2"X1"X16g	12
17	N08F	Nut, Hex, Unf, 1/2", Gr5	3
18	N08FC	Nut, Hex, Conelock, Unf, 1/2", Gr5	3
19	A181015Z	Pin, 11.1dia, L=262	1
20	A181025R	Guard, Pulley, Left	1
21	A181027R	Guard, Pulley, Right	1
22	AM259	Deflector	1
23	AM274	Fastener, Pushon	1
24	NU133M6	Nut, U, 13x3, M6	6
25	SH0616M	Screw, Hex, M 6x 16, Pc4.6	2
26	NM6NT	Nut, Hex, Nyloc, Thin, M 6, Pc6	2
27	SEMSM6X18	Screw, Hex, +Washers, M6x18	6
28	A180017Z16J	Mount, Suspension, Rear	2
29	AM145	Spring, Extension	2
30	13016	Pin, 11.1 Diax327l	1
31	SH0616M	Screw, Hex, M 6x 16, Pc4.6	1
32	NM6NT	Nut, Hex, Nyloc, Thin, M 6, Pc6	1
33	NM10NT	Nut, Hex, Nyloc, Thin, M10, Pc6	2
34	NHM10	Nut, Hex, M10, Pc8	2
35	B1050M	Bolt, Hex, M10x 50, Pc8.8	2
36	V77	Belt, V	1



PARTS LIST - DECALS

PART NO	DESCRIPTION	CS35H15B32	CS35H15B38	CS35H17B32	CS35H17B38
95067	Non-Skid, Pedal, Brake	1	1	1	1
A168223	Non-skid, Pedal, Drive	1	1	1	1
A179169	Non-skid, Footrest	2	2	2	2
DEC116	Decal, Danger, Mowing Attachment	2	2	2	2
DEC331	Decal, Deck, Do Not Step, 32"	1		1	
DEC332	Decal, Deck, Do Not Step 38"		1		1
DEC180	Badge, Bonnet	1	1	1	1
DEC361	Decal, Cox, Bonnet, Side	2	2	2	2
DEC330	Decal, Cox, 250x 80, Red	1	1	1	1
DEC240	Decal, Proudly Australian, Red	2	2	2	2
DEC314	Decal, Control, Speed, Engine	1	1	1	1
DEC343	Decal, Clutch/Brake	1	1	1	1
DEC370	Decal, Adjust Height	1	1	1	1
DEC360	Decal, Instruct, Hydro	1	1	1	1
DEC341	Decal, Switch, Ign	1	1	1	1
DEC362	Decal, Caution, Hot Surface	1	1	1	1
DEC363	Decal, Level, Fuel	1	1	1	1
DEC365	Decal, Side, Right,15.5hp	1	1		
DEC366	Decal, Side, Left, Upper 15.5hp	1	1		
DEC367	Decal, Side, Left, Lower	1	1	1	1
DEC368	Decal, Side, Right,17.5hp			1	1
DEC369	Decal, Side, Left, Upper 17.5hp			1	1
DEC325	Decal, Cox, Hydro	1	1	1	1





Cox Industries (Australia) Pty Ltd

**70 Landseer Street
Acacia Ridge Qld 4110
Australia**

PH 07 3323 2222 FAX 07 3344 6233

Web Site Address: www.coxmowers.com.au

Email: sales@coxmowers.com.au