



COMPACT TRACTORS 1963-1978 928 & 928 SERIES 1

928 COMPACT TRACTOR

May 1969 – 1972

5HP, 7HP or 8HP 28" Cut, Yellow & Brown. Disengages by set screws on front lifting linkage. Long clutch arm. Three piece rear wheel hubs.

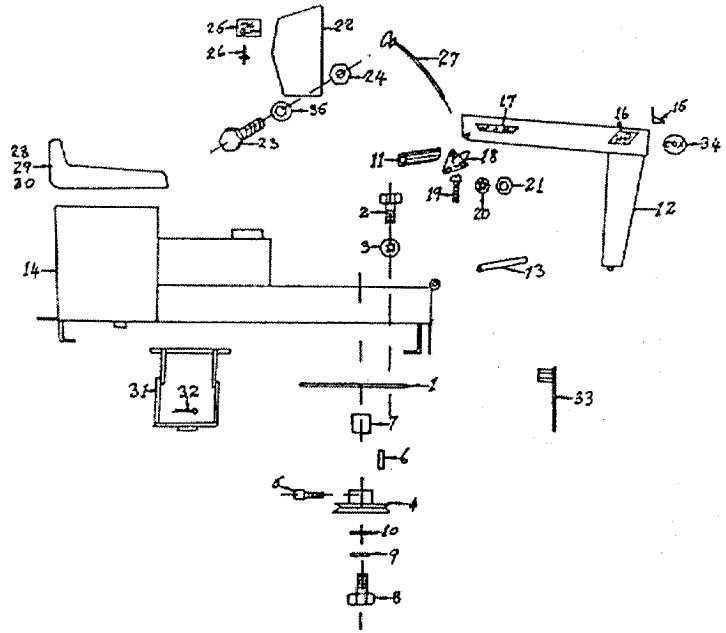
928 SERIES 1 COMPACT TRACTOR

1972 – 1978

7HP, 8HP or 10HP 28" Cut. Yellow & Brown. Short round disengagement lever (on right hand side) bolted to cutter housing pillar. All shafting imperial, long clutch arm.

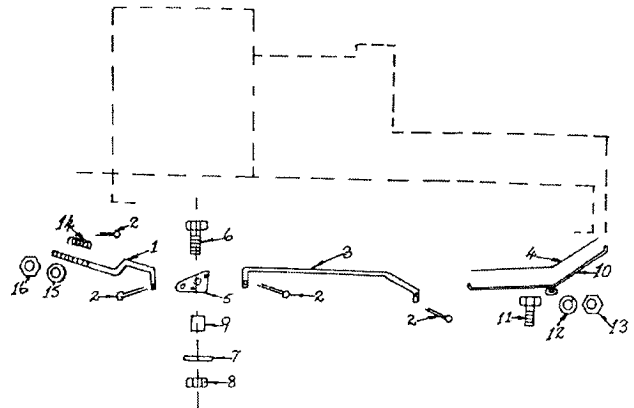
928/928S1 GROUP 11: CHASSIS & COMPONENTS

RefPart No No	Description
1 SAM077	Engine Mounting Plate NLA
AM078B0	Engine Mounting Plate
2 B0524C	Engine Mounting Bolt (4)
3 W05S	Engine Mounting Bolt Shakeproof Washer (4)
4 AM234	Engine Pulley
5 GS0505C	Engine Pulley Set Screw
6 AM175	Engine Pulley Key
7 AM233	Engine Pulley Spacer
8 SH0720F	Engine Pulley Retaining Bolt
9 W07S	Engine Pulley Ret Bolt S/p Washer
10 W072004	Engine Pulley Bolt H/D Washer
11 814	Recoil Handgrip Extension NLA
12 817	Bonnet NLA
13 SAM210	Bonnet Hinge Pin NLA
14 816	Main Chassis NLA
15 820	Bonnet Mascot & Screw NLA
16 821	Bonnet Transfer (HP) (2) NLA
17 TR06	Transfer Variable Speed (2) NLA
18 823	Bonnet Clip (2) NLA
19 SR0312W	Bonnet Clip Screw (2) NLA
20 W03S	Bonnet Clip Screw S/p Washer
21 N03W	Bonnet Clip Screw Nut
22 S091112F3	Dash Panel NLA
23 B0412C	Dash Panel Mounting Screw (4)
24 N04CN	Dash Panel Mounting Screw Nuts
25 S091113	Dash Panel Instruction Plate NLA
26 PR0207	Instruction Plate Pop Rivet
27 S091114	Throttle Cable NLA
28 837	Seat Base NLA
29 AM002	Seat Cushion NLA
30 AM003	Seat Cover NLA
31 976	Height Control – Rear NLA
32 CP3-225	Height Control Rear Split Pin
33 AM005G0	Spark Plug Spanner
34 827	Nameplate NLA
35 W04S	Dash Panel Mounting Screw Shakeproof Washer



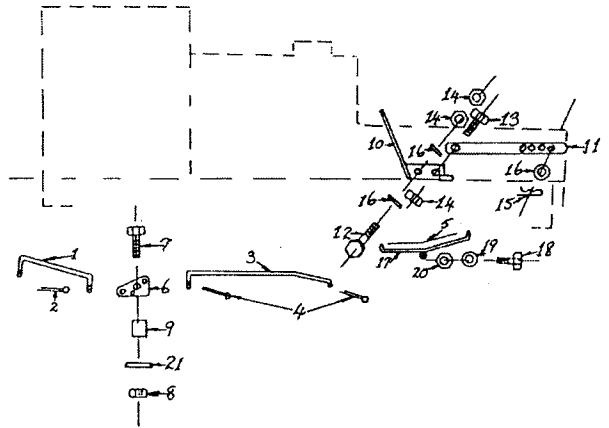
928 GROUP 12: RIGHT SIDE OF CHASSIS

Ref. No.	Part No.	Description
1	893E	Clutch Rod Short NLA
2	CP3-220	Clutch Rod Split Pin (4)
3	895	Clutch Rod Long NLA
4	NSM01	Clutch Pedal Rubber
5	AM008	Clutch Pivot Plate NLA
6	B0636C	Pivot Plate Mounting Bolt NLA
7	W06S	Mtg Bolt S/p Washer
8	N06CN	Clutch Pivot Plate Nut
9	091203	Clutch Pivot Bush NLA
10	897	Clutch Pedal NLA
11	B0512C	Clutch Pedal Ret Bolt (2)
12	W05S	Clutch Pedal S/p Washer (2)
13	N05C	Clutch Pedal Nut (2)
14	910	Variable Speed Spring NLA
15	W051216	Variable Speed Spring Washer
16	N05CN	Variable Speed Spring Nut



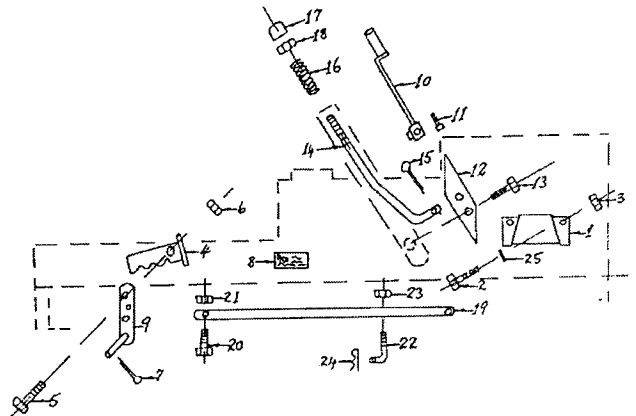
928 Series 1 GROUP 12: RIGHT SIDE OF CHASSIS

Ref. No.	Part No.	Description
1	893	Clutch Pull Rod Short NLA
	893G	Clutch Pull Rod Short Gear Box Type NLA
2	CP3-220	Clutch Pull Rod Short Ret Split Pin (2)
3	895	Clutch Pull Rod Long NLA
	895G	Clutch Pull Rod Long Gear Box Type NLA
4	CP3-220	Clutch Pull Rod Long Ret Split Pin (2)
5	NSM01	Clutch Pedal Rubber
6	AM008	Clutch Control Rod Pivot Plate NLA
7	B0636C	Control Rod Pivot Plate Mtg Bolt NLA
8	N06CN	Clutch Control Rod Pivot Plate Nut
9	091203	Clutch Control Rod Pivot Bush NLA
10	1184	Disengagement Lever NLA
11	1183	Disengagement Connecting Rod NLA
12	SH0516C	Disengagement Lever Pivot Bolt NLA
13	SH0512C	Diseng Connecting Rod Bolt NLA
14	N05C	Disengagement Lever Bolt Nut (3)
15	RP01	Disengagement Connecting Rod 'R' Pin
16	W051216	Diseng Connecting Rod Washer (3)
17	897	Clutch Pedal NLA
18	B0512C	Clutch Pedal Retaining Bolt (2)
19	W05S	Clutch Pedal Shakeproof Washer (2)
20	N05C	Clutch Pedal Nut (2)
21	W06S	Pivot Plate Shakeproof Washer



928/928S1 GROUP 13: LEFT SIDE OF CHASSIS

Ref. No.	Part No.	Description
1	S091911D9	Drive Chain Guard NLA
2	B0412C	Drive Chain Guard Retaining Bolt (2)
3	N04CN	Drive Chain Guard Nut (2)
4	956	Foot Brake Pedal NLA
5	B0512C	Foot Brake Pedal Pivot Bolt
6	N05C	Foot Brake Pedal Pivot Bolt Lock Nut
7	CP3-220	Foot Brake Pedal Link Split Pin
8	STR08	Mounting Caution Transfer
9	959	Foot Brake Pedal Link NLA
10	966	Height Adjustment Lever NLA
11	SS0508W	Height Adj Lever Lock Screw Square Head
12	AM011	Height Adjustment Pawl
13	B0516C	Height Adjustment Pawl Pivot Bolt
14	AM143M9	Height Adjustment Pawl Push Rod
15	CP2-512	Height Adjustment Pawl Push Rod Split Pin
16	AM012	Height Adjustment Pawl Push Rod Spring
17	AM013Q2	Height Adjustment Pawl Push Rod Button
18	N04C	Height Adj Pawl Push Rod Button Lock Nut
19	AM186	Ht Control Front & Rear Conn Rod NLA
20	B0616C	Ht Control Front & Rear Conn Rod Bolt (2)
21	N06CN	Front & Rear Conn Rod Lock Nut (2)
22	AM185B0	Cutter Lifting Link 928S1
	1022	Cutter Lifting Link 928 NLA
23	N06CN	Cutter Lifting Link Nylon Nut
24	RP02	Cutter Lifting Link 'R' Pin
25	W04S	Drive Chain Guard Shakeproof Washer (2)

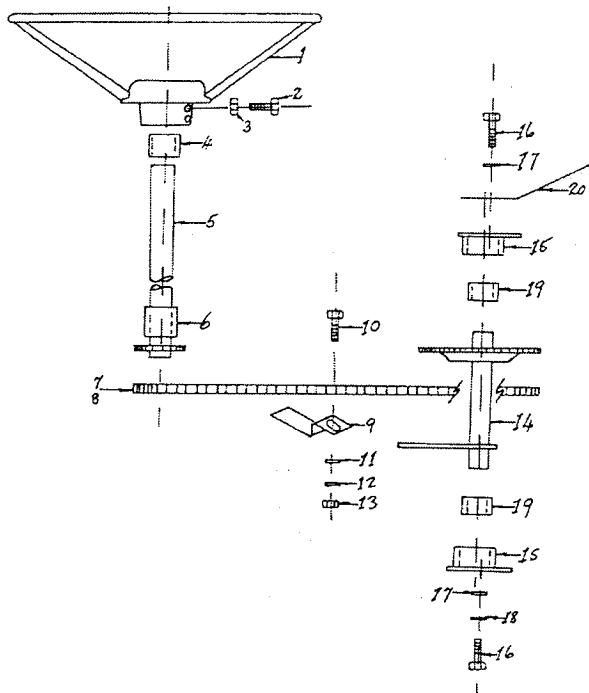


928-928S1 GROUP 14: ELECTRICAL COMPONENTS

Ref. No.	Part No.	Description
	833	Stop/Start Switch – Ignition Type NLA
	836	Electric Start Button NLA

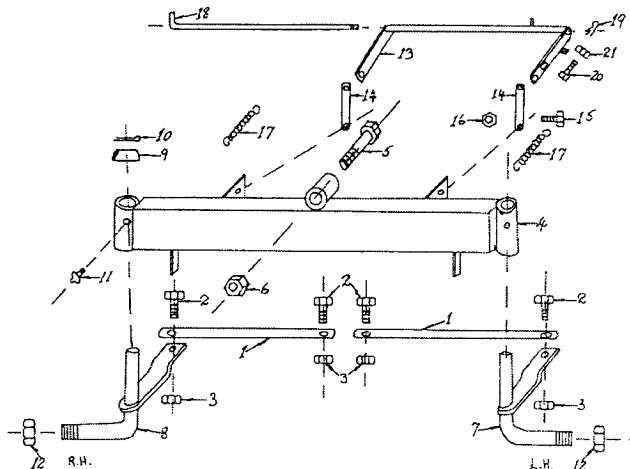
928-928S1 GROUP 15: STEERING COMPONENTS

Ref. No.	Part No.	Description
1	839	Steering Wheel NLA
2	SS0512W	Steering Wheel Set Screw (2) NLA
3	N06C	Steering Wheel Set Screw Lock Nut (2)
4	AM066	Steering Wheel Spacer
5	843E	Steering Shaft and Sprocket NLA
6	SAM017	Steering Shaft Bush
7	AM018	Steering Chain
8	SAM019	Steering Chain Connecting Link
9	09150003	Steering Chain Adjuster NLA
10	B0512C	Chain Adjuster Mounting Bolt
11	W051216	Chain Adjuster Mounting Bolt Flat Washer
12	W05S	Chain Adjuster Mounting Bolt S/p Washer
13	N05CN	Chain Adjuster Mounting Bolt Nut
14	852	Steering Idler Shaft NLA
15	SAM214	Idler Mounting Bracket (2)
16	B0512C	Idler Mounting Bracket Bolt (4)
17	W05S	Idler Mounting Bracket S/p Washer (4)
18	W051216	Idler Mounting Bracket Plain Washer (2)
19	AM215	Idler Mounting Bracket Bush (2)
20	819	Bonnet Stop Bracket NLA



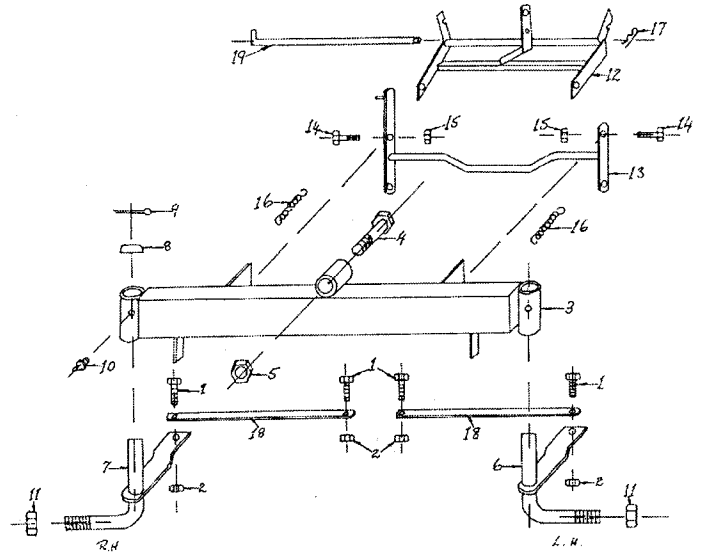
928 GROUP 16: FRONT AXLE COMPONENTS

Ref. No.	Part No.	Description
1	858	Steering Tie Rod (2) NLA
2	B0520C	Steering Tie Rod Bolt (4)
3	N05CN	Steering Tie Rod Nut (4)
4	861	Front Axle NLA
5	B1236W	Front Axle Pivot Bolt
6	SAM191	Front Axle Pivot Bolt Nut
7	864L	Front Wheel Stub Axle L/H NLA
8	864R	Front Wheel Stub Axle R/H NLA
9	AM069	Stub Axle Felt Retaining Cup Washer
10	CP3-225	Stub Axle Retaining Split Pin (2)
11	GNTF3	Stub Axle Grease Nipple
12	SNT12F	Front Wheel Nut (2)
13	SKIT62	Cutter Housing Connecting Link
14	SAM192G3	Front Axle Connecting Link
15	B0616C	Connecting Link Bolt (4)
16	N06CN	Connecting Link Lock Nut (4)
17	AM040	Cutter Belt Tension Spring (2)
18	AM039S2	Cutter Pivot Rod NLA
19	RP02	Cutter Pivot Rod 'R' Pin
20	SS0520W	Cutter Belt Disengaging Set Screw (2)
21	N05C	Cutter Belt Disengaging Set Screw Lock Nut (2)



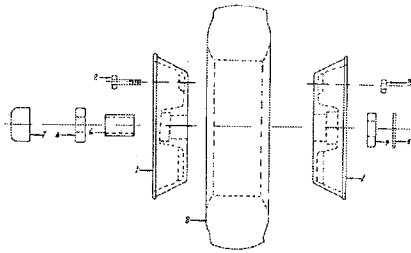
928S1 GROUP 16: FRONT AXLE COMPONENTS

Ref. No.	Part No.	Description
1	B0520C	Steering Tie Rod Bolt (4)
2	N05CN	Steering Tie Rod Nut (4)
3	861	Front Axle NLA
4	B1236W	Front Axle Pivot Bolt
5	SAM191	Front Axle Pivot Bolt Nut
6	864L	Front Wheel Stub Axle L/H NLA
7	864R	Front Wheel Stub Axle R/H NLA
8	AM069	Stub Axle Cup Washer
9	CP3-225	Stub Axle Retaining Split Pin
10	GNTF3	Stub Axle Grease Nipple #9
11	SNT12F	Front Wheel Nut (2)
12	SKIT62	Cutter Housing Connecting Link
13	SAM192G3	Front Axle Connecting Link
14	B0616C	Connecting Link Bolt (4)
15	N06CN	Connecting Link Lock Nut (4)
16	AM040	Cutter Belt Tension Spring (2)
17	RP02	Cutter Pivot Rod 'R' Pin
18	858	Steering Tie Rod (2) NLA
19	AM039S2	Cutter Pivot Rod NLA



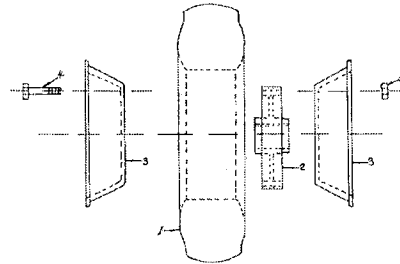
928 GROUP 17: FRONT WHEEL COMPONENTS

Ref. No.	Part No.	Description
1	869E	Front Wheel Hub (2) NLA
2	B0444C	Front Wheel Retaining Bolt (6) NLA
3	N04C	Front Wheel Retaining Bolt Nut (6)
4	BB1226-I	Bearing (4) NLA
5	W204114M	Bearing Dust Washer (2) NLA
6	AM021	Bearing Spacer (2)
7	AM07099C	Hub Cap (2)
8	STY350x6	Front Wheel Tyre (2) NLA
	STU350x6	Front Wheel Tube (2) NLA
	865	Stub Axle Felt Dust Seal (2) NLA



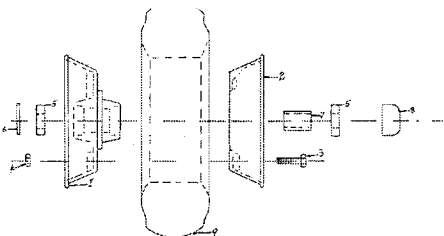
928 GROUP 18: REAR WHEEL COMPONENTS

Ref. No.	Part No.	Description
1	TL400x8	Rear Wheel Tyre (2) NLA
	STU400x8	Rear Wheel Tube (2) NLA
2	950E	Rear Wheel Hub (2) NLA
3	951E	Rear Wheel Rim (4) NLA
4	B0880W	Wheel Bolt L/H (5) NLA
	B0832W	Wheel Bolt R/H (5)
5	N08W	Bolt Nut (10)



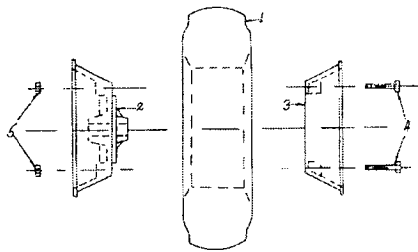
928S1 GROUP 17: FRONT WHEEL COMPONENTS

Ref. No.	Part No.	Description
1	869A	Front Wheel Hub NLA
2	091702	Front Wheel Rim NLA
3	B0520C	Front Wheel Retaining Bolt (6)
4	N05C	Front Wheel Retaining Bolt Nut (6)
5	BB1226-I	Front Wheel Bearing (4) NLA
6	W204114M	Front Wheel Brg Dust Washer (2) NLA
7	AM021	Bearing Spacer (2)
8	AM07099C	Hub Cap (2)
9	STY350x6	Front Wheel Tyre (2) NLA
	STU350x6	Front Wheel Tube (2) NLA



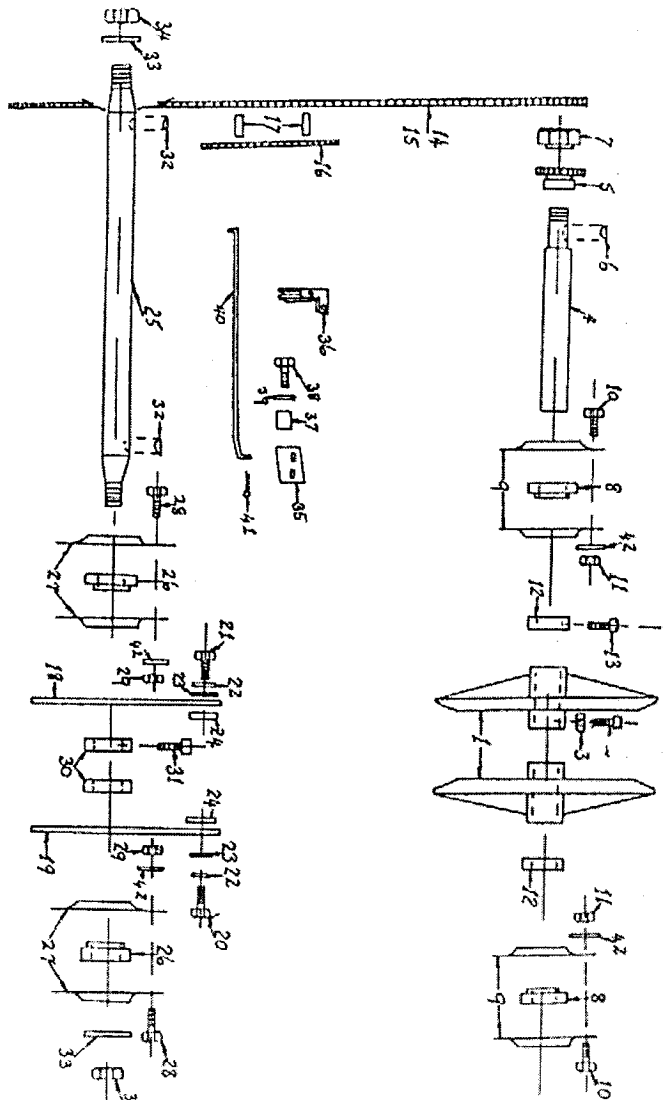
928S1 GROUP 18: REAR WHEEL COMPONENTS

Ref. No.	Part No.	Description
1	TL400x8	Rear Wheel Tyre (2) NLA
	STU400x8	Rear Wheel Tube (2) NLA
2	950	Rear Wheel Hub (2) NLA
3	S091802	Rear Wheel Rim (2) NLA
4	B0632C	Rear Wheel Rim Bolt R/H (6)
	B0672C	Rear Wheel Rim Bolt L/H (6)
5	N06C	Rear Wheel Bolt Nut (2)



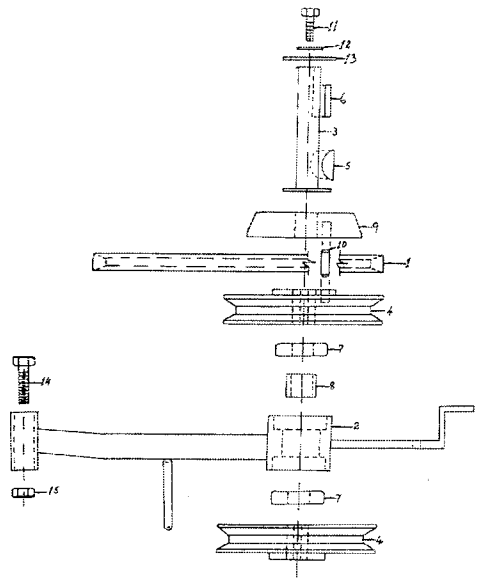
928-928S1 GROUP 19: DRIVE COMPONENTS

Ref. No.	Part No.	Description
1	907	Clutch Plate (2) NLA
2	SS0612W	Clutch Plate Set Screw (4)
3	N06C	Set Screw Nut (4) No Longer Required
4	914	Intershaft NLA
5	SKIT30	Intershaft Sprocket & Key
6	SK03	Intershaft Sprocket Key
7	SAM022	Intershaft Sprocket Nut
8	BB14SA-1	Intershaft Bearing NLA
9	AM024	Intershaft Bearing Flange (4)
10	B0612C	Intershaft Bearing Bolt (6)
11	N06CN	Intershaft Bearing Flange Nut (6)
12	923	Intershaft Lock Collar (2) NLA
13	SS0508W	Intershaft Lock Collar Set Screw (2)
14	AM018	Drive Chain
15	SAM019	Drive Chain Connection Link
16	931	Large Sprocket 928S1
	931E	Large Sprocket 928 NLA
17	932	Large Sprocket Spacer (6) NLA
18	933L	Rear Axle Bracket L/H NLA
19	933	Rear Axle Bracket R/H NLA
20	B0612C	Rear Axle Bracket Bolt
21	B0616C	Rear Axle Bracket Bolt (2)
22	W06S	Rear Axle Bracket Bolt S/proof Washer (4)
23	W061216	Rear Axle Bracket Bolt Flat Washer (4)
24	936	Rear Axle Bracket Bolt Plate (2) NLA
25	937	Rear Axle 928S1 NLA
	937E	Rear Axle 928 NLA
26	BB16SA-I	Rear Axle Bearing (2) NLA
27	AM024	Rear Axle Bearing Flange (4)
28	B0612C	Rear Axle Bearing Flange Bolt (6)
29	N06CN	Rear Axle Bearing Flange Nut (6)
30	943	Rear Axle Lock Collar (2) NLA
31	SS0508W	Rear Axle Lock Collar Set Screw
32	K18	Rear Axle Key (2) 928S1
	945E	Rear Axle Key (2) 928 NLA
33	W102016	Rear Axle Shakeproof Washer (2) 928S1
	W12S	Rear Axle Shakeproof Washer (2) 928
34	N10F	Rear Axle Nut (2) 928S1
	SNT12F	Rear Axle Nut (2) 928
35	1046	Disc Brake Mounting Bracket 928S1 NLA
36	1047	Disc Brake 928S1 NLA
37	1048	Disc Brake Bolt Spacer 928S1 NLA
38	B0612C	Disc Brake Bolt 928S1
39	W06S	Disc Brake Bolt Shakeproof Washer 928S1
40	961	Foot Brake Pull Rod 928S1 NLA
	961E	Foot Brake Pull Rod 928 NLA
41	CP3-220	Foot Brake Pull Rod Split Pin (2) 928S1
42	W06S	Flange Shakeproof Washer (12)
	962	Foot Brake Pull Rod Spring 928 NLA
	N06C	Foot Brake Pull Rod Nut 928
965		Brake Band c/w Lining & Rivets 928 NLA



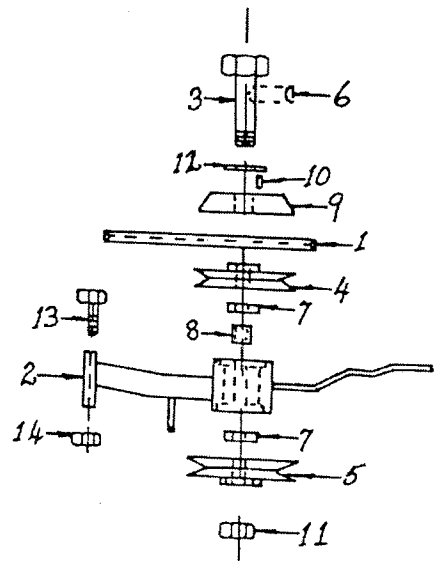
928 GROUP 20: CLUTCH ARM & COMPONENTS

Ref. No.	Part No.	Description
1	SV14	Engine to Clutch Belt
2	879	Clutch Arm NLA
3	5	Clutch Shaft NLA
4	S881A	Clutch Pulley (2)
5	SK09	Clutch Pulley Key Lower
6	883	Clutch Pulley Key Upper NLA
7	BB1232-I	Bearing (2) NLA
8	AM072	Bearing Spacer
9	886E	Clutch Cone NLA USE CC2095G & SAM156
10	AM026	Clutch Cone Pin
11	B0616F	Clutch Cone Retaining Bolt
12	W06S	Retaining Bolt Shakeproof Washer
13	W0620HD	Retaining Bolt Heavy Duty Washer
14	B0672C	Clutch Arm Pivot Bolt
15	N06CN	Clutch Pivot Bolt Nut



928S1 GROUP 20: CLUTCH ARM & COMPONENTS

Ref. No.	Part No.	Description
1	SV14	Engine to Clutch Belt
2	879	Clutch Arm NLA
3**	880	Clutch Shaft NLA
4	S881A	Clutch Pulley Upper
5**	S881B	Clutch Pulley Lower NLA
	S881BC	Clutch Pulley Lower Threaded
6	SK09	Clutch Pulley Key
7	BB1232-I	Clutch Bearing (2) NLA
8	AM072	Bearing Spacer
9	886E	Clutch Cone NLA
10	AM026	Clutch Cone Pin
11	SSNT12F	Clutch Shaft Nut
12	W204303	Clutch Cone Retaining Nut Flat Washer
13	B0672W	Clutch Pivot Bolt
14	N06CN	Clutch Pivot Bolt Lock Nut

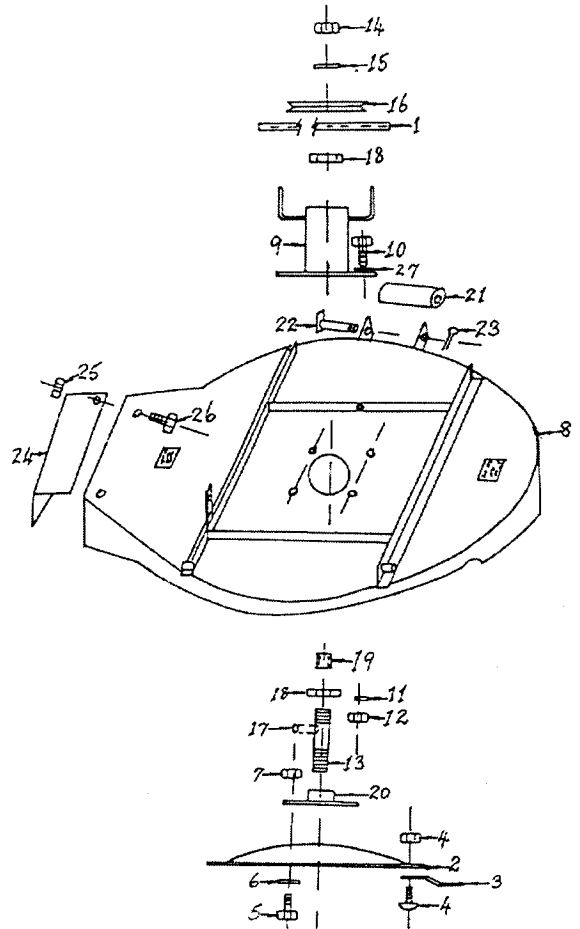


**** CONVERSION OF PART NO 881B****

Replace with Part No 881BC Clutch Pulley Lower Threaded & Part No 880C Clutch Shaft NLA

928-928S1 GROUP 21: 28" MOWING ATTACHMENT COMPONENTS

Ref. No.	Part No.	Description
1	V07	Cutter Belt
2	AM076H7	Cutter Disc
3	SMB150SHD	Cutter Blades (Stepped) (2)
	SKIT32	Heavy Duty Blades (Stepped) (4)
4	SKIT01D1	Cutter Blade Bolt & Nut
5	B0612C	Cutter Mounting Bolt (4)
6	W06S	Mounting Bolt Shakeproof Washer (4)
7	N06CN	Mounting Bolt Nut
8	996/S1	Cutter Housing 928S1 NLA
	SKIT123	Cutter Housing 928
9	1002	Cutter Bearing Housing NLA
10	B0616C	Bearing Housing Bolt (4)
11	W0620HD	Bearing Housing Heavy Duty Washer (4)
12	N06CN	Bearing Housing Nut (4)
13	1007	Cutter Shaft NLA
14	SNT12F	Cutter Shaft Nut
15	W12S	Cutter Shaft Nut Shakeproof Washer
16	S881A	Cutter Disc Pulley
17	SK09	Pulley Key
18	BB1232-I	Cutter Bearing (2) NLA
19	AM029	Bearing Spacer
20	1014	Disc Flange with Boss NLA
21	AM036D9	Cutter Roller
22	AM037	Cutter Roller Shaft
23	CP3-220	Cutter Roller Shaft Split Pin
24	AM038	Windrower NLA
25	N04CN	Windrower Nut
26	B0412C	Windrower Bolt
27	W06S	Bearing Housing Shakeproof Washer (4)
	997	Cutter Housing Mounting Frame NLA
	B0612C	Mounting Frame Bolt (6)
	W06S	Mounting Frame Washer (6)
	W0620HD	Mounting Frame Heavy Duty Washer (6)
	N06CN	Mounting Frame Nut (6)



OPERATING AND MAINTENANCE INSTRUCTIONS

IMPORTANT

Before starting engine make sure unit is in neutral (central) position.

Keep feet clear of blades when starting and operating machine, when using mowing attachment.

Blades cut right to edge on either side of machine.

Do not use mowing attachment with broken or bent Blade or Disc otherwise damage may result from vibration. Replace only in pairs to maintain disc balance. DO NOT USE WITHOUT WINDROWER when catcher is not being used.

Check all bolts and nuts after first hour of running to ensure trouble-free service.

References to left or right side of machine are determined by standing behind the machine.

TO OPERATE

TO START ENGINE: See Engine Maintenance Instruction Sheet. Follow instruction on dash panel.

NORMAL OPERATION: Power regulated by the throttle. Open the throttle sufficiently to do work without labouring the engine. When using the mowing attachment, it is advisable with long grass to first cut on High Setting, then cut down to required height. For very long grass open throttle for full power and ease the machine in, using the Drive Pedal gently to get slow forward movement.

TO DRIVE FORWARD: Set throttle lever to approximately half power. Press control pedal down on forward section for forward movement. or the rear section for reverse. Remember the amount of pressure controls the speed.

MANOEUVRING: Owing to the Clutch type action of the Friction Drive it is possible to take the machine straight forward to reverse and vice versa. This instant forward and reverse operation makes the machine very manoeuvrable and the sharpest turns can be negotiated easily and quickly.

TO BRAKE: To stop suddenly, push pedal quickly into reverse than let it back to neutral. The parking brake should only be used for storage, transportation and emergency stopping.

CUTTING HEIGHT ADJUSTMENT: The ratchet type height adjustment may be altered to suit varying conditions while the machine is in motion.

NOTE: When mowing slopes leave the machine in forward drive when going downhill. The low gearing will prevent it from picking up excessive speed. If very steep it may be necessary to throttle back slightly.

MAINTENANCE AND SERVICE INSTRUCTIONS

It is the owners responsibility to ensure that all periodical checks, necessary adjustments and services are carried out.

Stop Engine — Never attempt any form of service or adjustment with engine running.

1. **Oil Changing (Engine):** Change oil after first 5 hours running, thereafter change oil every 25 hours in accordance with engine instructions.

To Change Engine Oil: Tilt machine towards the oil drain plug, remove plug and thoroughly drain. A piece of plastic hose is ideal for draining oil away from unit. Insert plastic hose in drain hole and other end into suitable container. Remove tube, replace plug, fill with new engine oil (Ampol Super GT). Refer engine instructions.

IMPORTANT: Check oil level every few hours and top up if necessary.

Air Filter: Clean filter and renew oil in reservoir when changing engine oil. In very dusty conditions clean Air Filter every few hours. (Use Ampol Super GT.)

Oil Foam Type: With with detergent or kerosene. Squeeze dry and re-oil frequently. Oil filter daily under severe conditions. See engine instructions.

2. Lubrication of Machine: Lubrication of machine should be carried out after every 25 hours of operation or once a month, whichever falls due first. Service engine and lubricate machine more frequently under adverse conditions.

A: Oiling: A few drops of oil should be placed at the following points: Steering Column Shaft (top & bottom), Steering Linkages, Disengagement Linkages, Height Adjustment Mechanism, Pivot Bolt and Linkages on Clutch Arm and Clutch Pedal.

B: Chain: Use chain lube only for lubricating the drive and steering chains.

C: Grease Points: Grease nipples are located on the front wheel stub axle bushes.

Under no circumstances allow grease or oil to come into contact with the Clutch Cone or the Clutch Plates. Should this occur clean off immediately with petrol.

3. To Check Blades: Stop Engine, Remove spark plug lead. Lift windrower and put height adjustment control to highest position. If necessary simply remove the blade bolt and nut using a suitable spanner and replace worn parts.

4. Cutter to Clutch Vee Belt: Tension is automatically adjusted by the belt tensioning springs. However, as the belt stretches it will be necessary to lower the rear of the cutter housing by loosening the rear lifting link nut to level the cutter housing and vice versa when a new belt is fitted.

5. Engine to Clutch Vee Belt Adjustment: Loosen the four engine mounting bolts. Move engine forward and adjust belt to correct tension. Re-tighten bolts.

6. Disengaging Adjustment: Disengagement handle in the engaged position (with mowing attachment in middle cut position), is approximately parallel to foot rest angle. Due to normal wear in cutter to clutch vee belt, clearance will reduce. When clearance is reduced to zero, adjustment will be necessary to the disengagement adjuster and cutter head brake assembly. With the disengagement handle in the engaged position and mowing attachment in middle cut, remove 'R' pin and washer from disengagement adjuster, pull out adjuster from mounting pin. Screw adjuster in or out to give required clearance. Replace adjuster, washer and 'R' pin.

7. Cutter Brake Assembly Adjustment: With disengagement handle in engaged position and mowing attachment in middle cut, normal clearance between cutter head pulley and cutter head brake pad is approximately 3mm (1/8"). To adjust clearance, remove 'R' pin from brake pull rod, adjust to give required clearance, replace brake pull rod and 'R' pin. Check operation after adjustment.

8. Clutch Plate Adjustment: Periodically it will be found necessary to adjust the clutch plates as the clutch cone wears. To carry out this operation, first loosen the lock nuts and set screws holding the plates in position. Position the clutch pedal in neutral position. This in turn positions the clutch cone in neutral. Slide the reverse (L) clutch plate over to touch the clutch cone and tighten the set screw. Move the forward (R) plate until approximately .8mm (1/32") from the clutch cone. Tighten the set screws and lock nuts.

For machines without Chain Adjuster Bearing:

9. Drive Chain: Lift rear end of the machine so that the rear wheels are approximately 25mm (1") clear of the ground. Loosen rear axle mounting brackets. Adjust backwards until chain is tight. Make sure back axle is parallel to the back of the machine, re-tighten the holding bolts, check parking brake and adjust if necessary.

For machines with Chain Adjuster Bearing:

9. Drive Chain: Raise rear of machine off ground using suitable block under Tow Bar. Loosen bolt through chain tensioner (Bearing). Move tensioner into chain (finger tight pressure only). Retighten bolt. Rotate rear wheels to check chain has slight backlash at its tightest point.

10. To Adjust Steering Chain: Loosen bolt holding the adjuster and support bracket. Push bracket in tight on chain being careful that quadrant portion presses on the chain rollers. Re-tighten bolt and test steering.

11. To remove Mowing Attachment: Remove weight compensation spring. Remove 'R' pins from front pivot rod, rear lifting link and cutter brake adjusting rod. Remove rear lifting link from mowing attachment and cutter brake rod from chassis, raising mowing attachment to mid-height position, disengaging mowing attachment, remove belt, remove pivot rod. Tilt machine toward left hand side and slide attachment from under machine. To refit, reverse the above.

12. Tyre Pressures: 140 kPa (20 PSI) approximately front and rear. Uneven pressures can give an uneven finish when mowing and may cause damage to tyres and tubes.

13. Battery Maintenance: Maintain electrolyte fluid level just above plates by topping regularly with distilled water. On machines fitted with Dunlop Pulsar Battery no maintenance is required as this is a completely sealed battery.

14. Seat Adjustment: Loosen four seat mounting bolts and slide seat into desired position in slots and re-tighten bolts.

15. Genuine Spare Parts: Always use genuine 'Cox' factory made spare parts. Use on non-genuine 'Cox' spares will void your warranty.

16. Safety First: The use of any mechanical appliance can cause injury if incorrect procedures are used.