

NOVA* & *SUPANOVA

MODEL 2300

OPERATING & MAINTENANCE INSTRUCTIONS

NOVA* & *SUPA NOVA **2300 OPERATING AND MAINTENANCE** **INSTRUCTIONS**

IMPORTANT

When starting electric start machine, place right heel on micro switch located on rear of RH side footrest. Ensure that cutter is disengaged, otherwise electric starter motor will not engage. If engine is cold move throttle to cold start position (NOVA) or pull out Cold Start (SUPA NOVA). Return to desired throttle setting when engine starts. Do not attempt to operate engines with cold start (choke)engaged. (Note electric start engines fitted with recoil can be manually started with cutter disengaged and ignition on).

Keep feet and hands clear of mowing attachment when starting and operating machine.

Do not use mowing attachment with broken or bent blades, damaged or worn bolts and nuts or damaged cutter disc, otherwise damage and premature wear will result from vibration. Replace blades, bolts and nuts only in pairs to maintain correct balance.

WARNING

DO NOT USE WITHOUT ALL SAFETY DEFLECTORS & GUARDS IN PLACE

Check all bolts and nuts after first hour of running to ensure trouble free service.

Mount and dismount only from left hand side of machine.

Reference to left or right hand side of machine is determined by sitting in the operating position on the machine.

Make sure ignition switch is turned to the off position otherwise Hourmeter will continue to operate. Remove ignition key for security when machine is not in use.

TO OPERATE

BEFORE STARTING: See Engine Maintenance/Instruction Sheet.

BEFORE SWITCHING OFF: When stopping engine disengage cutter return throttle to slow position and allow engine to idle at least 10-30 seconds.

DISENGAGING MOWING ATTACHMENT: The disengaging switch is situated on the right hand side of the dash. Before starting, disengage mowing attachment by pulling switch lever fully towards operator. For safety it is advisable at all times, other than when mowing, that the mowing attachment be kept in the disengaged position.

TO ENGAGE CUTTER: Pull out switch lever from its safety lock position and push forward.

TO DRIVE FORWARD/REVERSE: Power is regulated by the throttle. Set throttle control to desired engine power. Press down on the forward section of the clutch pedal for forward movement, on the rear of the clutch pedal for reverse. The amount of pressure can be used to control the ground speed, especially in heavier conditions.

MANOEUVRING: Owing to the heel and toe type action of the drive pedal, it is possible to take the machine straight from forward to reverse and vice versa. This instant forward and reverse operation makes the machine very manoeuvrable and the sharpest turns can be negotiated easily and quickly.

TO BRAKE (WITH ENGINE RUNNING): The clutch may be used to stop the machine. If travelling forward push the pedal into reverse until machine stops, then bring the pedal back to neutral position or vice versa if travelling in reverse.

TO BRAKE (WITH ENGINE STOPPED): The parking brake only must be used. Otherwise damage to clutch cone will occur. Parking brake is also emergency 'stop' and transport brake.

CUTTING HEIGHT ADJUSTMENT: The height adjustment is controlled electrically by a switch located on the left hand side of the dash and may be altered to suit varying conditions, while the machine is in motion. To raise, push switch lever forward. To lower pull lever to rear. **NOTE:** The switch lever will return to the centre or off position when released. Height position is shown via a slot in the chassis.

NOTE: When mowing slopes, leave machine in forward drive when going down hill. The low gearing will prevent it from picking up excessive speed. If very steep it may be necessary to throttle back slightly. Avoid holding machine on slopes using clutch with engine running and machine stationary as damage will occur to clutch plates.

MAINTENANCE INSTRUCTIONS

IT IS THE OWNERS RESPONSIBILITY TO ENSURE THAT ALL PERIODICAL CHECKS, NECESSARY ADJUSTMENTS AND SERVICES ARE CARRIED OUT.

STOP ENGINE - NEVER ATTEMPT ANY FORM OF SERVICE OR ADJUSTMENT WITH ENGINE RUNNING, REMOVE SPARK PLUG LEAD. MAKE SURE THE BLADES HAVE STOPPED ROTATING BEFORE CARRYING OUT ANY ADJUSTMENT.

WHEN STOPPING ENGINE DISENGAGE CUTTER RETURN THROTTLE TO SLOW POSITION AND ALLOW ENGINE TO IDLE AT LEAST 10-30 SECONDS BEFORE SWITCHING OFF.

1. OIL CHANGING (ENGINE): See Engine Maintenance/Instructions Sheet and carry out as per Engine Manufacturers Recommendation.

2. LUBRICATION OF MACHINE: Lubrication of machine should be carried out every 25 hours of operation or once a month, whichever falls due first. Service engine and lubricate machine more frequently under adverse conditions.

A. OILING: A few drops of oil should be placed at the following points:- steering linkage, front axle linkages, height adjustment mechanism, pivot bolts and linkages on clutch arm and clutch pedal.

B. CHAIN:- Use only chain lube for lubricating the drive and steering chains.

C. GREASE POINTS:- Grease nipples are located on the front wheel stub axle bushes.

UNDER NO CIRCUMSTANCES ALLOW GREASE OR OIL TO COME INTO CONTACT WITH THE CLUTCH CONE OR THE CLUTCH PLATE. SHOULD THIS OCCUR, CLEAN OFF IMMEDIATELY WITH PETROL.

3. TO CHECK BLADES:- Stop engine. Remove spark plug lead. Lift windrower and height adjustment control to highest position. If necessary simply remove the blade bolt and nut using a suitable spanner and replace worn parts. For 38" and 48" mowing attachments it is advisable to remove mowing attachment for blade replacement.

4. ELECTRIC CLUTCH TO CUTTER VEE BELT:- Tension is automatically adjusted by the belt tensioning springs. However, as the belt stretches it will be necessary to lower the rear of the cutter housing by loosening the rear lifting link nut to level the cutter housing and vice versa when a new belt is fitted. Check belt tension and level cutter at machine service period (every 25hrs or more frequently if required).

5. ENGINE TO DRIVE CLUTCH AND ENGINE TO ELECTRIC CLUTCH (CUTTER ENGAGEMENT) VEE BELT ADJUSTMENT:- Adjustments are factory set. Tension is controlled by spring loaded belt tensioning pulleys and therefore should not require engine adjustment. If however belt slippage is occurring it would be advisable to have an adjustment made by your authorised COX Servicing Dealer.

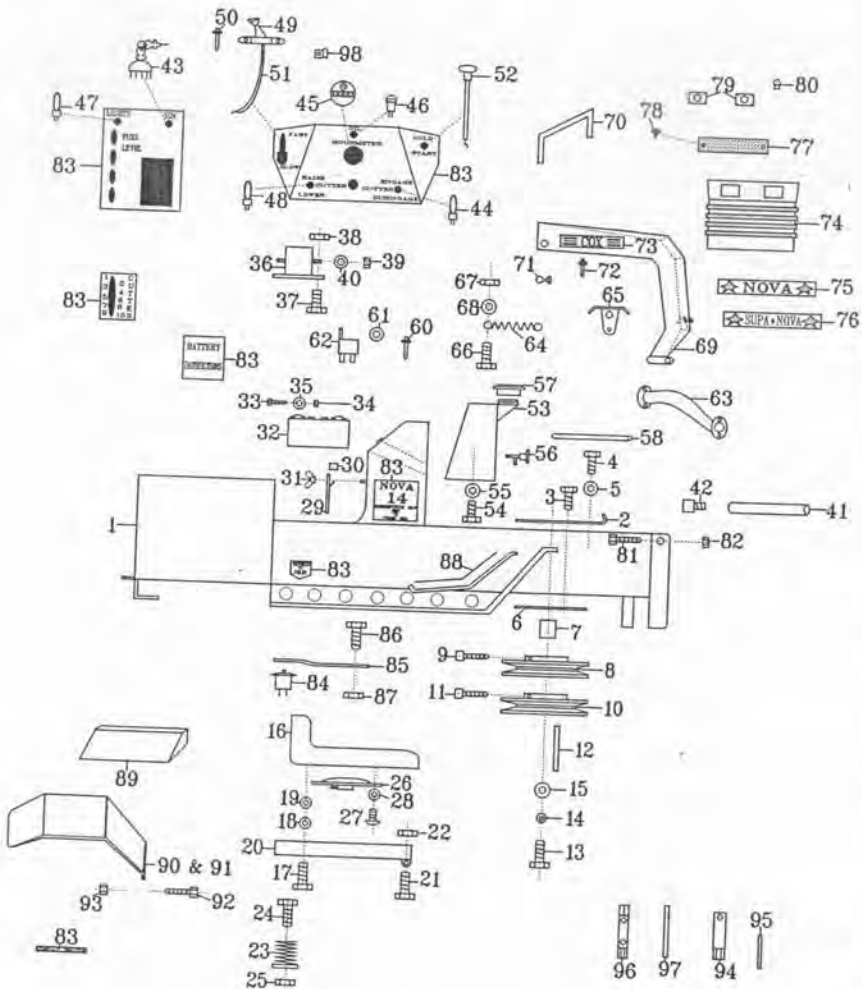
6. CUTTER BRAKE ASSEMBLY ADJUSTMENT:- The cutter brake is incorporated in the electric clutch assembly and is factory set. If however the cutter fails to stop within 8 seconds it is advisable to have your COX Sales & Servicing Dealer - adjust the Air Gap to .015" for correct operation.

7. CLUTCH PLATE ADJUSTMENT:- Periodically it will be found necessary to adjust the clutch plates as the clutch cone wears. Carry out this operation, with engine switched off. First loosen the lock nuts and set screws holding the plates in position. Position the clutch cone assembly into centre position. Slide the reverse (LH) clutch plate over to touch the clutch cone and tighten the set screws. Move the forward (RH) plate until approximately .8mm (1/32") from the clutch cone. Tighten the set screws and lock nuts.

- 8. DRIVE CHAIN:-** Adjustment is not necessary as there is an automatic adjuster fitted. Replace chain when chain has sagged enough to expose half the depth of the teeth on the bottom of the large sprocket. Failure to replace worn chain will cause premature wear of sprockets.
- 9. TO ADJUST STEERING CHAIN:-** Adjust chain by loosening the four bolts which hold the steering idler shaft mounting brackets in position, slide forward to tension chain then retighten bolts.
- 10. TO REMOVE MOWING ATTACHMENT:-** Disconnect weight compensating spring from mowing attachment. Raise mowing attachment to high position, release belt tension by pushing down on lever situated on RH side of front axle beam, remove belt from rear pulley, lower mowing attachment to ground. Remove 'R' pins from front pivot rod and rear lifting link. Remove rear lifting link from mowing attachment, remove pivot rod and slide attachment from under machine. To refit, reverse the above.
- 11. TYRE PRESSURE:-** 140KPA (20P.S.I.) approximately front and rear. Uneven pressure can give an uneven finish when mowing and may cause damage to tyres and/or tubes. For your convenience your Cox Compact Tractor tyres have been treated with Sheeld puncture preventative. Refer to back page for more information on what Sheeld is and how it works.
- 13. BATTERY MAINTENANCE:-** Maintain electrolyte fluid level just above plates by topping regularly with distilled water.
- 14. SEAT ADJUSTMENT:-** Loosen four seat mounting bolts and slide seat into desired position in slots and re-tighten bolts.
- 15. GENUINE SPARE PARTS :-** Always use Genuine Cox Factory Made Spare Parts. Use of non genuine COX spares will void your warranty.
- 16. SAFETY FIRST:-** The use of any mechanical appliance can cause injury if incorrect procedures are used. Please ensure that all family members or intended operators read thoroughly the COX CARE AND SAFETY TIP booklet enclosed with your operator instructions.

**WE ARE PROUD THAT YOU HAVE PURCHASED A COX PRODUCT AND
URGE YOU TO FOLLOW THESE INSTRUCTIONS TO OBTAIN THE
MAXIMUM LIFE FROM YOUR MACHINE.**

**IF IN DOUBT CHECK WITH YOUR SUPPLIER, OR CONTACT COX MOWER
& MACHINERY CO. DIRECT ON PHONE (07) 274-1155 OR FAX (07) 274-1018.**

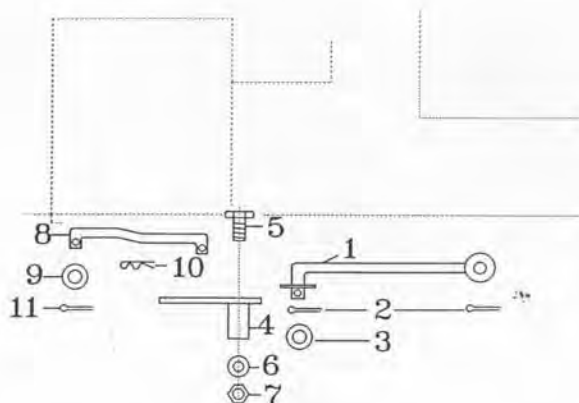


MODEL 2300 NOVA / SUPA NOVA

GROUP 11: MAIN CHASSIS & COMPONENTS

REF NO.	PART NO.	DESCRIPTION	REF NO.	PART NO.	DESCRIPTION
1	231101	Chassis	48	231122	Height Control Switch
2	231116	Engine Mount Plate	49	AM88	Throttle Lever
3	B0620TFS	Engine Mounting Bolt (4)	50	PR0306R	Throttle Lever Rivet (2)
4	B0516C	Eng Mt Belt Tensioner Bolt (4)	51	231123	Throttle Cable (14HP)
5	WS050216	Engine Mt Belt Tensioner Bolt Spring Washer (4)	52	231124	Throttle Cable (16HP)
6	AM 78B0	Engine Mounting Bolt Plate (2)	53	231107	Remote Choke Control (16HP)
7	231119	Engine Pulley Spacer	54	231111	Petrol Tank
8	AM234	PTO Pulley	55	SH0412C	Petrol Tank Bolt (2)
9	GS0505W	PTO Pulley Grub Screw	56	W041216	Petrol Tank Bolt Washer (2)
10	231120	Drive Pulley	57	231112	Petrol Tap
11	GS0505W	Drive Pulley Grub Screw	58	231126	Petrol Cap
12	231125	Engine Key	59	231135	Fuel Line (14HP)
13	SH0720F	Pulley Retaining Bolt	60	231136	Fuel Line (16HP)
14	W07S	Pulley Ret. Bolt S/Proof Washer	61	PR0306R	Relay Housing Pop Rivet
15	W072004	Pulley Ret Bolt Washer	62	W030812	Relay Housing Pop Rivet Washer
16	AM164	Seat	63	231134	Relay
17	B0512C	Seat Retaining Bolt (4)	64	231114	Exhaust Manifold LH (16HP)
18	W05S	Seat Ret. Bolt S/Proof Washer (4)	65	231115	Exhaust Manifold RH (16HP)
19	W052002	Seat Ret. Bolt Washer (4)	66	231129	Muffler (16HP)(2) use B&S P/N 391313
20	AM226	Seat Mount	67	AM180	Bonnet Spring (2)
21	B0516C	Seat Mount Hinge Bolt (2)	68	AM181	Bonnet Strap (2)
22	N05CN	Hinge Bolt Nut (2)	69	SH0412C	Bonnet Spring Bolt (2)
23	AM177	Seat Spring (2)	70	N04CN	Bonnet Spring Nut (2)
24	B0612C	Seat Spring Ret. Bolt (2)	71	W040816	Bonnet Spring Washer (2)
25	N06CN	Seat Spring Ret. Bolt Nut (2)	72	231103	Bonnet
26	AM165	Seat Micro Switch	73	231133	Bonnet Trim
27	SR0408W	Seat Micro Attach Bolt (2)	74	AM178	Bonnet Pillar (2)
28	W04S	Seat Micro Attach Washer (2)	75	PR0306R	Bonnet Strap Pillar Pop Rivet (2)
29	231117	Battery Cover	76	AM219	'COX' Badge (3)
30	231132	Battery Cover Pad	77	AM224	Bonnet Grill
31	NW04C	Wing Nut	78	231109	'NOVA' Badge
32	AM109	Battery	79	231110	'SUPA NOVA' Badge
33	SH0412C	Battery Terminal Bolt (2)	80	AM222	Head Light Lens
34	N04C	Battery Terminal Bolt Nut (2)	81	ST0610	Lens Screw (2)
35	W040812	Battery Terminal Bolt Washer (2)	82	AM221	Head Light Reflector (2)
36	AM159	Solenoid	83	AM228	Lamp (2)
37	SH0408C	Solenoid Mounting Bolt (2)	84	SH0412C	Bonnet Hinge Bolt (2)
38	N04CN	Solenoid Mounting Bolt Nut (2)	85	N04CN	Bonnet Hinge Bolt Nut (2)
39	N04C	Solenoid Terminal Nut (2)	86	DEC2314	Decal Set (14HP)
40	W040812	Solenoid Terminal Nut Washer (2)	87	DEC2316	Decal Set (16HP)
41	231113	Oil Drain Pipe	88	AM 92	Micro Switch
42	231127	Oil Drain Nipple	89	AM100J0	Foot Micro Spring Plate
43	AM 14	Ignition Switch	90	SH0408C	Spring Plate Bolt
	AM 15	Ignition Switch Key (2)	91	N04CN	Spring Plate Bolt Nut
44	231121	Electric Clutch PTO Switch	92	NSM23	Non Skid Material Set
45	AM211	Hourmeter		231104	Centre Guard
46	231108	Oil Pressure Warning Light		231105	RH Mudguard
47	AM229	Light Switch		231106	LH Mudguard
				SH0408C	Mudguard Bolt (12)

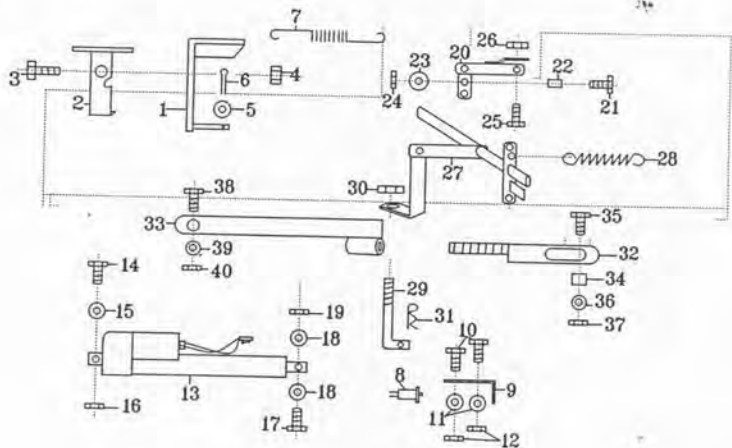
REF NO.	PART NO.	DESCRIPTION
93	N04CN	Mudguard Bolt Nut (12)
94	231128	Spark Plug Spanner
95	231131	Plug Spanner Tommy Bar
96	AM 06	Tube Spanner
97	AM 07	Tommy Bar
98	231130	Throttle Cable Clamp (16HP Only)



MODEL 2300 NOVA / SUPA NOVA

GROUP 12: RIGHT HAND SIDE OF CHASSIS

REF NO.	PART NO.	DESCRIPTION
1	231202	Clutch Rod Long
2	CP3.220	Clutch Rod Long Split Pin (2)
3	W071416	Clutch Rod Long Washer
4	AM182B0	Clutch Rod Pivot Plate
5	B0640C	Clutch Pivot Bolt
6	W061216	Clutch Pivot Bolt Washer
7	N06CN	Clutch Pivot Plate Nut
8	231201	Clutch Rod Short
9	CP3.220	Clutch Rod Short Split Pin
10	RP01	Clutch Rod Short 'R' Pin
11	W051216	Clutch Rod Short Washer



MODEL 2300 NOVA / SUPA NOVA

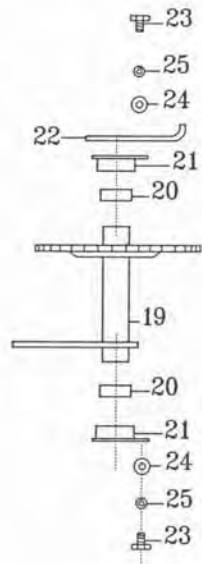
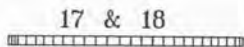
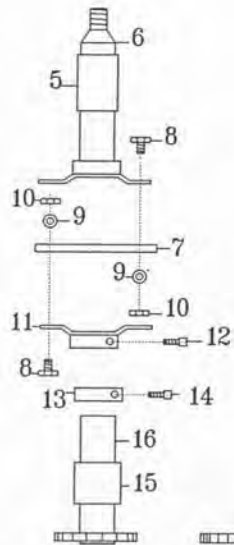
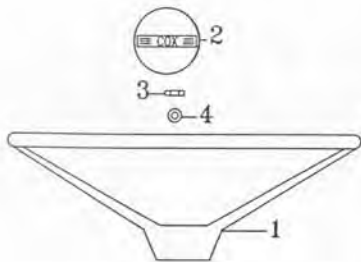
GROUP 13: LEFT HAND SIDE OF CHASSIS

REF NO.	PART NO.	DESCRIPTION	REF NO.	PART NO.	DESCRIPTION
1	AM184	Brake Pedal	21	B0632C	Height Indicator Link Pivot Bolt
2	AM187	Brake Pedal Rack	22	AM249	Pivot Bolt Sleeve
3	B0516C	Brake Pedal Rack Bolt	23	W061216	Pivot Bolt Washer
4	N05CN	Brake Pedal Rack Bolt Nut	24	N06CN	Pivot Bolt Nut
5	W051216	Brake Pedal Washer	25	B0616C	Rear Lift/Indicator Link Pivot Bolt
6	CP3.220	Brake Pedal Split Pin	26	N06CN	Rear Lift/Indicator Link Pivot Bolt Nut
7	AM183	Brake Pedal Spring	27	231303	Rear Lifting Link
8	AM 92	Top Height Stop Switch	28	AM264	Tension Spring
9	231304	Top Height Stop Switch Bracket	29	AM185B0	Cutter Housing Lifting Link
10	SH0408C	Stop Switch Bracket Bolt (2)	30	N06CN	Cutter Lifting Link Nut
11	W041216	Stop Switch Bracket Bolt Washer (2)	31	RP02	Cutter Lifting Link 'R' Pin
12	N04CN	Stop Switch Bracket Bolt Nut (2)	32	AM267	Front To Rear Conn Rod Threaded
13	231301	Height Adjuster Actuator	33	AM268	Front To Rear Connecting Rod Bushed
14	B0420C	Actuator Front Bolt	34	AM249	Connecting Rod Bush
15	W040816	Actuator Front Bolt Washer	35	B0624C	Connecting Rod Rear Bolt
16	N04CN	Actuator Front Bolt Nut	36	W0620HD	Conn Rod Rear Bolt Washer
17	B0424C	Actuator Rear Bolt	37	N06CN	Conn Rod Rear Bolt Nut
18	W040816	Actuator Rear Bolt Washer (2)	38	B0616C	Conn Rod Front Bolt
19	N04CN	Actuator Rear Bolt Nut	39	W061216	Conn Rod Front Bolt Washer
20	231302	Height Indicator Plate	40	N06CN	Conn Rod Front Bolt Nut

MODEL 2300 NOVA / SUPA NOVA

GROUP 14: ELECTRICAL COMPONENTS

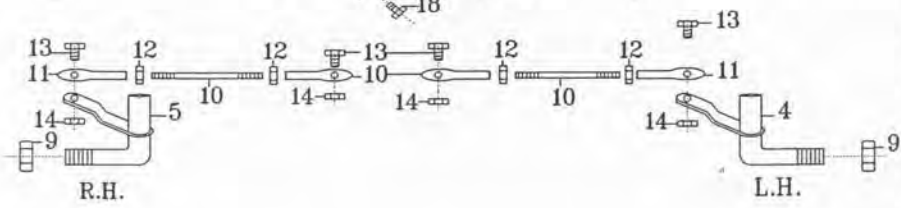
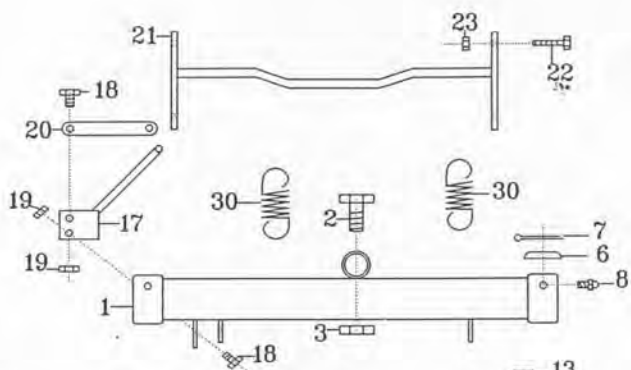
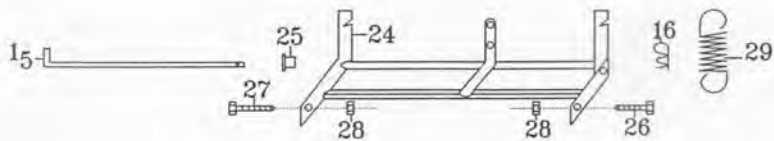
REF NO.	PART NO.	DESCRIPTION	REF NO.	PART NO.	DESCRIPTION
	231401	Wiring Loom		W030816	Pop Rivet Washer (2)
	231402	Battery Lead - Black		SH0408C	Earth Lead Bolt
	AM 65	Lead - Engine To Chassis		N04CN	Earth Lead Bolt Nut
	AM265	Lead - Red - Battery To Solenoid		231403	Fuse (15 amp)
	AM265	Lead - Red - Solenoid To Starter		231404	Fuse (4 amp)
	AM 96	Loom Clamp (2)		AM160	Fuse Holder
	PR0306R	Loom Clamp Pop Rivet (2)			



MODEL 2300 NOVA / SUPA NOVA

GROUP 15: STEERING COMPONENTS

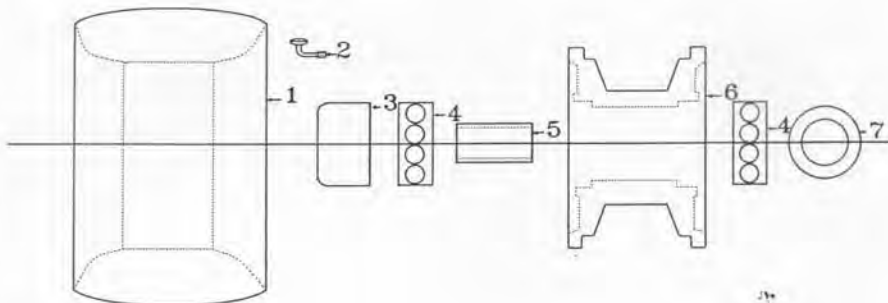
REF NO.	PART NO.	DESCRIPTION
1	AM167M8	Steering Wheel
2	AM225	Steering Wheel Emblem
3	N06CN	Steering Wheel Nut
4	W061216	Steering Wheel Washer
5	AM 17	Top Steering Shaft Bush
6	AM250	Steering Shaft Upper
7	AM253	Steering Shaft Universal
8	SH0412C	Universal Mounting Bolt (4)
9	W041216	Universal Mtg Bolt Washer (4)
10	N04CN	Universal Mtg Bolt Nut (4)
11	AM252	Lower Flange Bracket
12	GS0404W	Flange Bracket Retaining Grub Screw
13	AM 66	Lock Collar
14	SS0408W	Lock Collar Set Screw
15	AM 17	Lower Steering Shaft Bush (2)
16	231501	Steering Shaft Lower
17	AM 18	Steering Chain
18	AM 19	Steering Chain Link
19	AM254	Steering Idler Shaft
20	AM215	Idler Shaft Bush (2)
21	AM255	Idler Shaft Mounting Bracket (2)
22	231502	Adjuster Plate
23	B0512C	Idler Mounting Bracket Bolt (4)
24	W051216	Idler Mtg Bracket Bolt Washer (4)
25	W05S	Idler Mtg Bracket Bolt S/Proof Washer (4)



MODEL 2300 NOVA / SUPA NOVA

GROUP 16: FRONT AXLE COMPONENTS

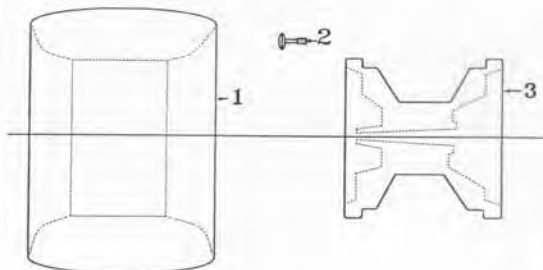
REF NO.	PART NO.	DESCRIPTION
1	231601	Front Axle Beam
2	B1236W	Front Axle Pivot Bolt
3	AM191	Front Axle Pivot Bolt Nut
4	AM 67	Stub Axle LH
5	AM 68	Stub Axle RH
6	AM 69	Stub Axle Cap (2)
7	CP3.225	Stub Axle Split Pin (2)
8	GNTF3	Grease Nipple (2)
9	NT20FM	Front Wheel Nut (2)
10	AM256	Tie Rod (2)
11	AM 20	Tie Rod End (4)
12	N06F	Tie Rod End Lock Nut (4)
13	B0620C	Tie Rod End Bolt (4)
14	N06CN	Tie Rod End Bolt Nut (4)
15	AM 39	Cutter Housing Pivot Rod
16	RP02	Cutter Housing Pivot Rod 'r' Pin
17	231602	Disengaging Lever
18	B0616C	Disengaging Lever Mounting Bolt (2)
19	N06CN	Disengaging Lever Mounting Bolt Nut (2)
20	231603	Disengaging Lever Link
21	231604	Front Axle Connecting Link
22	B0616C	Front Axle Conn Link Mounting Bolt (2)
23	N06CN	Front Axle Conn Link Mounting Bolt Nut (2)
24	231605	Cutter Housing Connecting Link
25	AM230	Cutter Housing Connecting Link Bush (2)
26	B0616C	Cutter Hsg Conn Link Mounting Bolt LH
27	B0620C	Cutter Hsg Conn Link Mounting Bolt RH
28	N06CN	Cutter Hsg Conn Link Mounting Bolt Nut (2)
29	AM145	Weight Compensating Spring
30	AM 40	Cutter Belt Tension Spring (2)



MODEL 2300 NOVA / SUPA NOVA

GROUP 17: FRONT WHEEL COMPONENTS

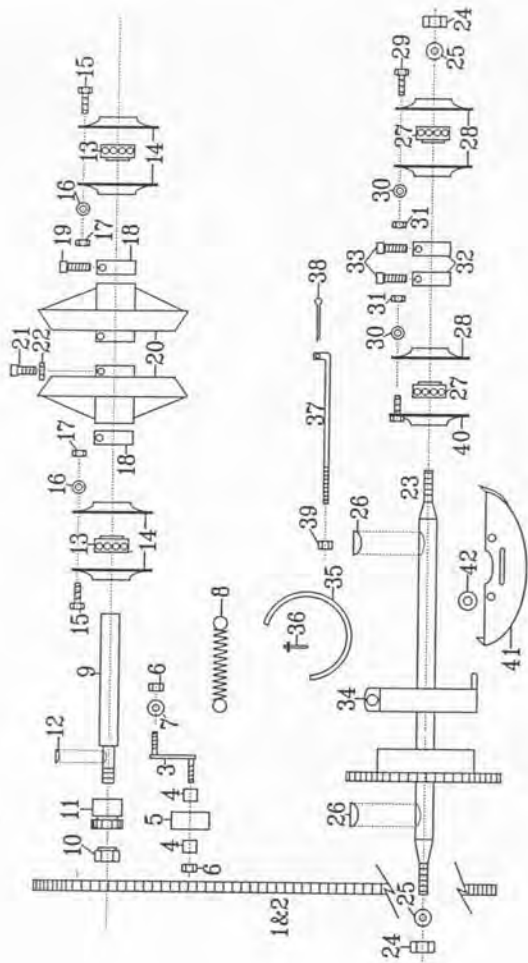
REF NO.	PART NO.	DESCRIPTION
1	TL600X6	16 X 600 X 6 Tubeless Tyre (2)
2	VSA	Valve Stem (2)
3	AM 70	Hub Cap (2)
4	BB204212	Bearing (4)
5	AM 21	Bearing Spacer (2)
6	AM193M9	Wheel Hub (2)
7	W203902	Inner Dust Washer (2)



MODEL 2300 NOVA / SUPA NOVA

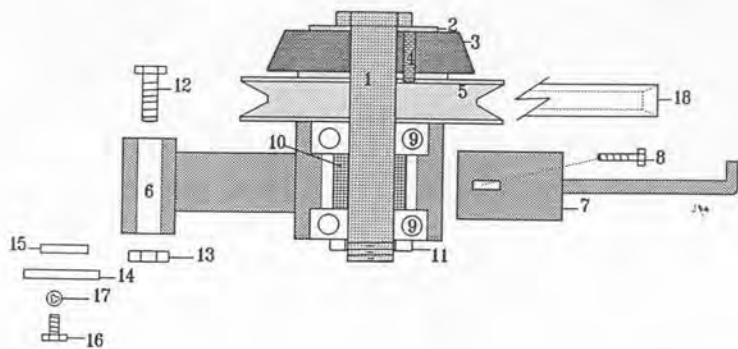
GROUP 18: REAR WHEEL COMPONENTS

REF NO.	PART NO.	DESCRIPTION
1	TL850X8	18 X 850 X 8 Tubeless Tyre (2)
2	VSS	Valve Stem (2)
3	AM194	Wheel Hub (2)



GROUP 19: DRIVE COMPONENTS

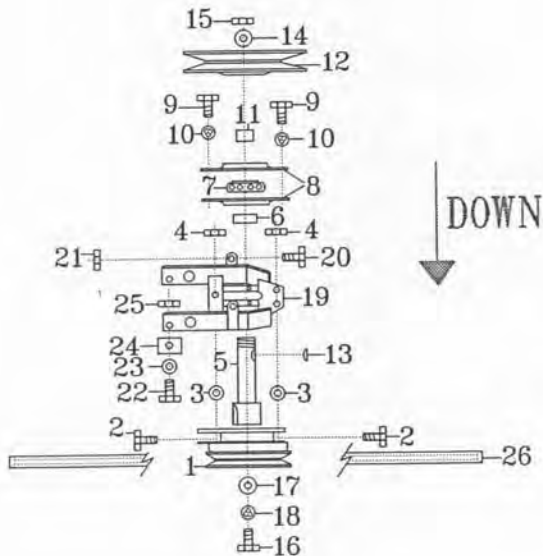
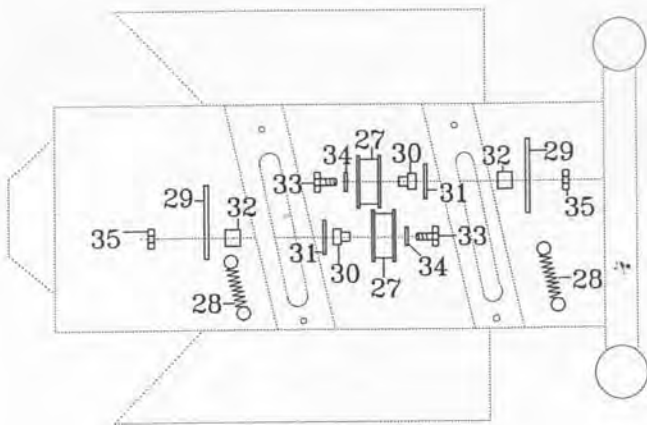
REF NO.	PART NO.	DESCRIPTION
1	231901	Drive Chain Incl Connecting Link
2	231905	Chain Connecting Link
3	AM245	Chain Tensioner (2)
4	AM231	Bearing Spacer (4)
5	BB256217	Bearing (2)
6	N06CN	Retainer Nut (4)
7	W061216	Retaining Nut Washer (4)
8	AM180	Chain Tensioning Spring
9	AM 71	Intershaft
10	AM 22	Intershaft Nut
11	231902	Intershaft Sprocket
12	K03	Intershaft Sprocket Key
13	BB25SA	Intershaft Bearing (2)
14	AM 24	Intershaft Bearing Flange (4)
15	B0612C	Bearing Flange Bolt (6)
16	W061216	Bearing Flange Bolt Washer (6)
17	N06CN	Bearing Flange Bolt Nut (6)
18	AM 25	Intershaft Lock Collar (2)
19	SS0506W	Lock Collar Set Screw (2)
20	AM197	Clutch Plate (2)
21	SS0620W	Clutch Plate Set Screw (4)
22	N06C	Clutch Plate Set Screw Lock Nut (4)
23	231903	Rear Axle
24	N10F	Rear Axle Nut (2)
25	W102016	Rear Axle Washer (2)
26	K18	Rear Axle Key (2)
27	BB25SA	Rear Axle Bearing (2)
28	AM 24	Rear Axle Bearing Flange (3)
29	B0616C	Bearing Flange Bolt (3)
30	W061216	Bearing Flange Bolt Washer (6)
31	N06CN	Bearing Flange Bolt Nut (6)
32	AM 25	Rear Axle Lock Collar (2)
33	SS0506W	Lock Collar Set Screw (2)
34	AM199	Brake Band
35	AM200	Brake Band Lining
36	PR0205	Brake Lining Rivet (4)
37	AM266	Drum Brake Rod
38	CP3.220	Drum Brake Rod Split Pin
39	N05CN	Drum Brake Rod Nut
40	AM202	Rear Axle Bearing Flange LH
41	AM203	Chain Guard
42	W061216	Chain Guard Washer (2)



MODEL 2300 NOVA / SUPA NOVA

GROUP 20: CLUTCH ARM & COMPONENTS

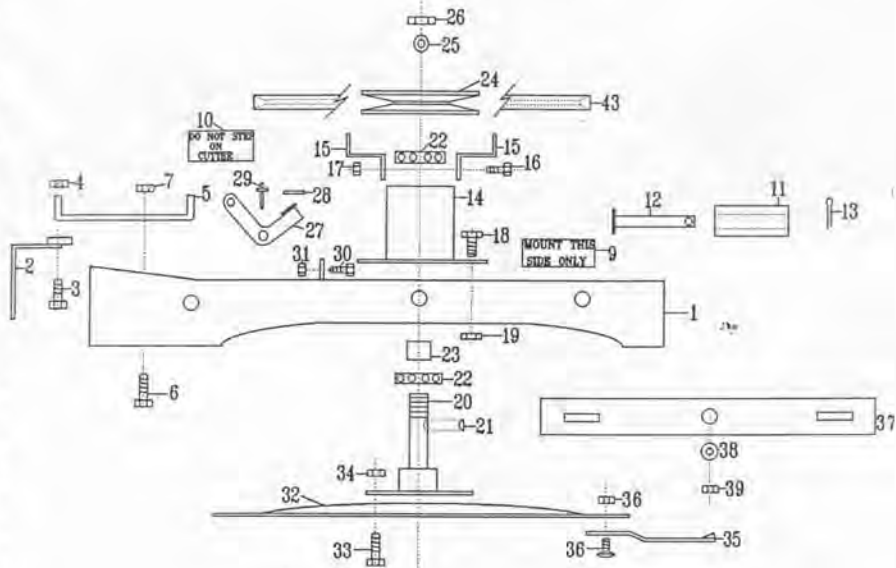
REF NO.	PART NO.	DESCRIPTION
1	AM138	Clutch Shaft
2	W204403	Clutch Shaft Washer
3	CC20100PB0	Clutch Cone
4	AM 26	Clutch Cone Pin
5	AM139	Clutch Pulley
6	AM 60	Clutch Arm
7	232001	Clutch Arm Yoke
8	B0512C	Clutch Arm Yoke Retaining Bolt (2)
9	BB205215	Clutch Arm Bearing (2)
10	AM 72	Bearing Spacer
11	NT20FM	Clutch Shaft Nut
12	B0652C	Clutch Arm Pivot Bolt
13	N06CN	Clutch Arm Pivot Bolt Nut
14	AM208	Clutch Adjusting Plate
15	AM209	Clutch Adjusting Tapped Plate (2)
16	B0616C	Adjusting Plate Bolt (2)
17	W06S	Bolt Lock Washer (2)
18	VA77	Forward/Reverse Drive Belt



MODEL 2300 NOVA / SUPA NOVA

GROUP 22: ELECTRIC CLUTCH & COMPONENTS

REF NO.	PART NO.	DESCRIPTION
1	232201	Electric Clutch
2	B0516C	Electric Clutch Locating Bolt (3)
3	W051216	Electric Clutch Locating Bolt Washer (3)
4	N05CN	Electric Clutch Locating Bolt Nut (3)
5	232202	Electric Clutch Drive Shaft
6	AM269	Clutch To Bearing Spacer
7	BB20SA	Bearing
8	232204	Bearing Flange (2)
9	B0508C	Bearing Flange Bolt (2)
10	W05S	Bearing Flange S/Proof Washer (2)
11	232205	Bearing To Pulley Spacer
12	232206	Top Pulley
13	K09	Top Pulley Key
14	W204403	Top Pulley Washer
15	NT20FM	Top Pulley Nut
16	B0744F	Drive Shaft Retaining Bolt
17	232207	Drive Shaft Retaining Bolt Washer
18	W07S	Drive Shaft Retaining Bolt S/proof Washer
19	232208	Electric Clutch Mounting Bracket
20	B0512C	Locating Bracket Bolt (2)
21	N05CN	Locating Bracket Bolt Nut (2)
22	B0420C	Stabilising Bolt (2)
23	W040816	Stabilising Bolt Washer (2)
24	232209	Stabilising Bolt Plate (2)
25	N04CN	Stabilising Bolt Plate Nut (2)
26	VB65	Engine To Electric Clutch Belt
27	AM263	Belt Tensioner Pulley (2)
28	232210	Belt Tensioner Spring (2)
29	232211	Belt Tensioner Spring Plate (2)
30	232212	Belt Tensioner Spacer (2)
31	W0620HD	Spacer Washer (2)
32	AM249	Belt Tensioner Sleeve (2)
33	B0624C	Belt Tensioner Bolt (2)
34	W061216	Belt Tensioner Washer (2)
35	N06CN	Belt Tensioner Nut (2)



2600 GROUP 21: 32" MOWING ATTACHMENT COMPONENTS

REF NO.	PART NO.	DESCRIPTION	REF NO.	PART NO.	DESCRIPTION
1	262101	Cutter Housing	30	B0520C	Cutter Brake Pivot Bolt
2	AM259	Deflector	31	N05CN	Cutter Brake Pivot Bolt Nut
	AM260	Deflector Spring (2)	32	AM 76H7	Cutter Disc
3	SH0412C	Deflector Pivot Bolt (2)	33	B0612C	Cutter Disc Ret. Bolt (4)
4	N04CN	Deflector Pivot Bolt Nut (2)	34	N06CN	Cutter Disc Ret. Bolt Nut (4)
5	AM 52	Deflector Bracket	35	MB198SHD	Cutter Blade - Stepped
6	SH0412C	Deflector Bracket Bolt (2)		MB198AHD	Cutter Blade - Air Flow (optional)
7	N04CN	Deflector Bracket Bolt Nut (2)	36	KIT01HD	Blade Bolt & Nut Set
9	DEC26	Complete Transfer Set	37	AM220	Cutter Front Guard
10	DEC26	Complete Transfer Set	38	W051216	Cutter Guard Washer (3)
11	AM 36D9	Cutter Housing Roller	39	N05CN	Cutter Guard Ret. Nut (3)
12	AM 37	Cutter Roller Shaft	43	VB54	Belt - Cutter To Clutch (ORION XL)
13	CP3.225	Cutter Roller Shaft Split Pin		VB43	Belt - Cutter To Clutch (NOVA / SUPA NOVA)
14	KIT08	Cutter Bearing Housing C/w Belt Guides			
15	AM 73	Belt Guides (2)			
16	B0420C	Belt Guide Bolt (2)			
17	N04CN	Belt Guide Bolt Nut (2)			
18	B0620C	Cutter Bearing Housing Bolt (4)			
19	N06CN	Cutter Bearing Housing Bolt Nut (4)			
20	AM 28	Cutter Shaft			
21	K09	Cutter Shaft Key			
22	BB205215	Cutter Shaft Bearing (2)			
23	AM 29	Bearing Spacer			
24	AM 30	Cutter Shaft Pulley			
25	W204403	Pulley Ret. Washer			
26	NT20FM	Pulley Ret. Nut			
27	KIT15	Cutter Brake Incl. Pad			
28	AM 33	Cutter Brake Pad			
29	PR0205	Brake Pad Pop Rivet (2)			



COX CARE AND SAFETY TIPS

FOR GARDEN TRACTORS
AND RIDE-ON
LAWN MOWERS



**YOU DON'T HAVE TO BE A PRO TO BE PROFESSIONAL!
KNOW YOUR MACHINE - HOW TO CONTROL IT
AND HOW TO MAINTAIN IT
READ THE OWNERS MANUAL!**



DON'T LET KIDS
OPERATE YOUR MACHINE—
NOR GROWN-UPS
UNTIL THEY HAVE HAD
PROPER INSTRUCTIONS.

2

3

BE SURE THE WORK AREA
IS CLEAR OF OBJECTS
WHICH MAY BE PICKED UP
AND THROWN.



ENSURE CLUTCH AND CUTTER
ARE DISENGAGED AND
SAFETY SWITCHES ARE ACTIVATED
BEFORE STARTING THE ENGINE.

4

5

DON'T FORGET TO SET
THE BRAKE AND STOP
THE ENGINE WHEN YOU
LEAVE YOUR MACHINE.



DON'T DIRECT THE
DISCHARGE OF MATERIAL
TOWARDS BYSTANDERS.

6

7

HANDLE FUEL WITH
CARE! IT IS HIGHLY
FLAMMABLE! USE
APPROVED CONTAINER.



DON'T REFUEL WHILE
THE ENGINE IS RUNNING
AND/OR HOT, OR WHILE
YOU'RE SMOKING.



TO A CREEK OR DITCH.
WATCH OUT FOR TRAFFIC
WHEN NEAR ROADWAYS.
STAY ALERT FOR HOLES
AND OTHER HIDDEN HAZARDS.

8

9

NEVER RUN THE ENGINE
IN A CLOSED GARAGE
OR SHED.
THE EXHAUST FUMES
ARE DANGEROUS.



10



DISENGAGE POWER TO
ANY ATTACHMENT AND
STOP ENGINE BEFORE
MAKING ADJUSTMENTS.

10

11

KEEP ALL SHIELDS AND
SAFETY DEVICES IN PLACE,
AS INSTRUCTED IN
THE OWNERS MANUAL.



WATCH WHERE
YOU'RE DRIVING.
PAY ATTENTION!

12

13



BEWARE OF STEEP
SLOPES, REDUCE
SPEED ON ALL SIDE
SLOPES AND SHARP
TURNS TO PREVENT
TIPPING OR
LOSING CONTROL.





DO NOT ATTEMPT TO
OPERATE MACHINE WHEN
NOT IN DRIVERS SEAT.

14

15

SWITCH OFF THE ENGINE
BEFORE ATTEMPTING TO
MAKE ADJUSTMENTS
OR REPAIRS.



DO NOT ATTEMPT TO
GET OFF THE MACHINE
WHILE IT IS RUNNING.

16

17

DON'T CARRY PASSENGERS
KEEP **KIDS** AND **PETS**
AT A SAFE DISTANCE.



DON'T WEAR LOOSE FITTING
CLOTHING THAT MIGHT GET
CAUGHT IN MOVING PARTS,
SHRUBS, FENCES ETC., AND KEEP
YOUR HANDS AND FEET AWAY
FROM MOVING PARTS!

18

FURTHER ADVICE FOR SAFE OPERATION OF
RIDE-ON MOWERS, COMPACT GARDEN TRACTORS, AND ATTACHMENTS

- * IMPROPER USE OF THIS TYPE OF EQUIPMENT ON THE PART OF THE OPERATOR CAN RESULT IN SERIOUS INJURY. TO REDUCE THIS POSSIBILITY, GIVE COMPLETE AND UNDIVIDED ATTENTION TO THE JOB AT HAND. BE AWARE OF PEOPLE APPROACHING FROM THE REAR.
- * DISENGAGE POWER TO ANY ATTACHMENT WHENEVER IT IS NOT IN USE OR WHEN TRAVELING FROM ONE WORK AREA TO ANOTHER.
- * DON'T STOP OR START SUDDENLY WHEN GOING UPHILL OR DOWNHILL.
- * PERIODICALLY RE-READ YOUR OWNERS MANUAL AND THIS BOOKLET.
- * KEEP YOUR MACHINE IN GOOD OPERATING CONDITION.

BY THE WAY - NOW WHO'S THE PROFESSIONAL IN YOUR AREA?